

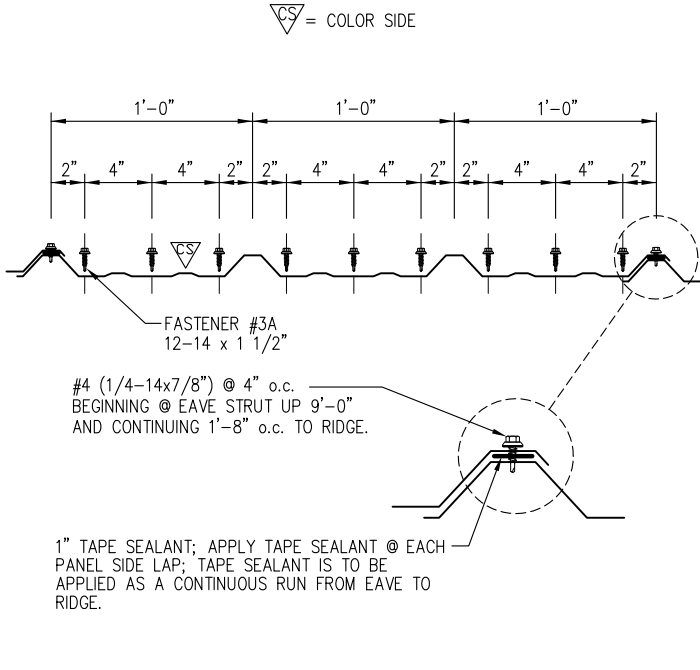


Table of Contents

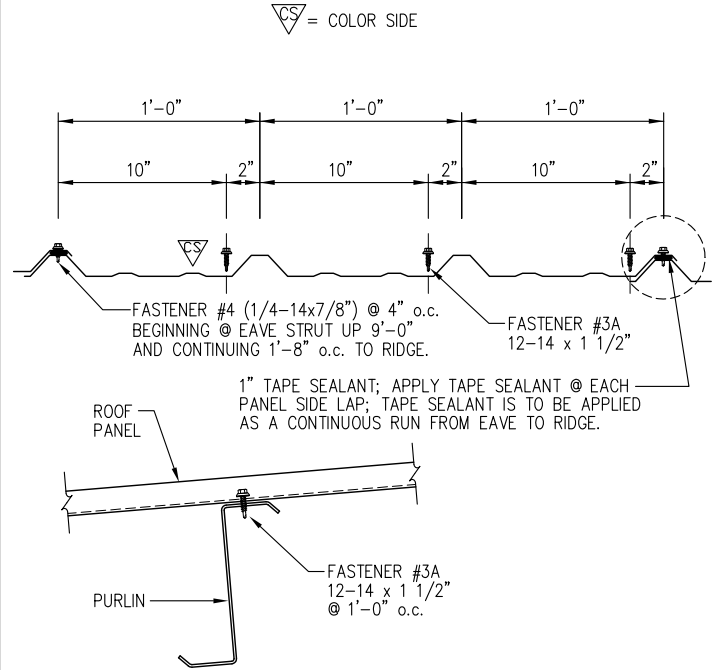
6. Panel Fastening Details

Section	Page	Description	Condition
		» <b>PANEL DETAILS</b>	
D6	1	PANEL FASTENER LOCATION	"PBR" ROOF PANEL - (EAVE, ENDLAPS, RIDGE)
D6	1	PANEL FASTENER LOCATION	"PBR" ROOF PANEL - (INTERMEDIATE PURLINS)
D6	1	PANEL FASTENER LOCATION	"R-TYPE" WALL PANEL
D6	1	PANEL FASTENER LOCATION	"A-TYPE" WALL PANEL
D6	2	PANEL FASTENER LOCATION	"RR" (REVERSE-ROLL) WALL PANEL
D6	2	ROOF PANEL END LAP	"PBR" ROOF PANEL
D6	2	FORMED RIDGE PANEL DETAIL	"PBR" PANEL - (MAX. 4:12 ROOF PITCH)
D6	2	RIDGE CAP DETAIL	"PBR" PANEL - (OFFSET RIDGE CAP TRIM)
D6	3	RIDGE CAP DETAIL	"PBR" PANEL - (FLAT RIDGE CAP TRIM) (@ HIGHER ROOF SLOPES)
D6	3	WALL PANEL LAP	ALL PANEL PROFILES
D6	3	TAPE SEAL LOCATION	"PBR" ROOF PANEL
D6	3	PANEL FASTENER LOCATION	"7.2" WALL PANEL (VERTICAL APPLICATION)
D6	4	FOR FUTURE USE	

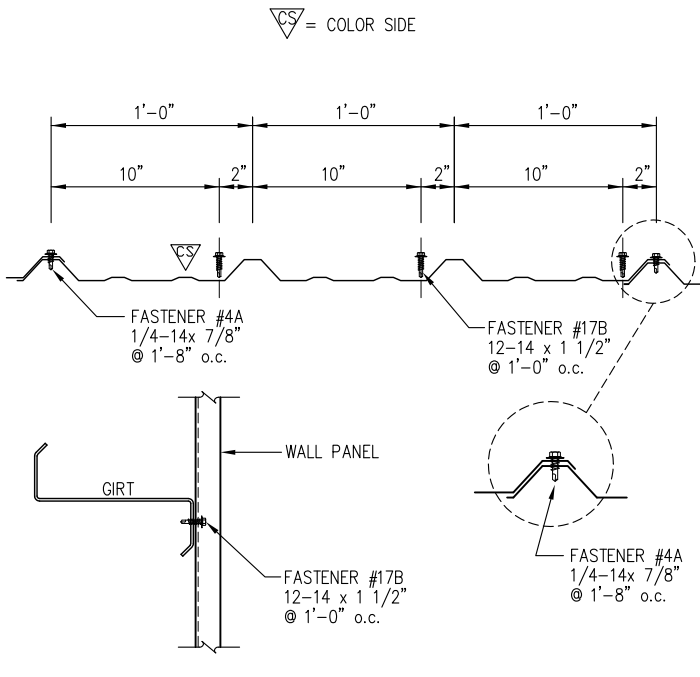




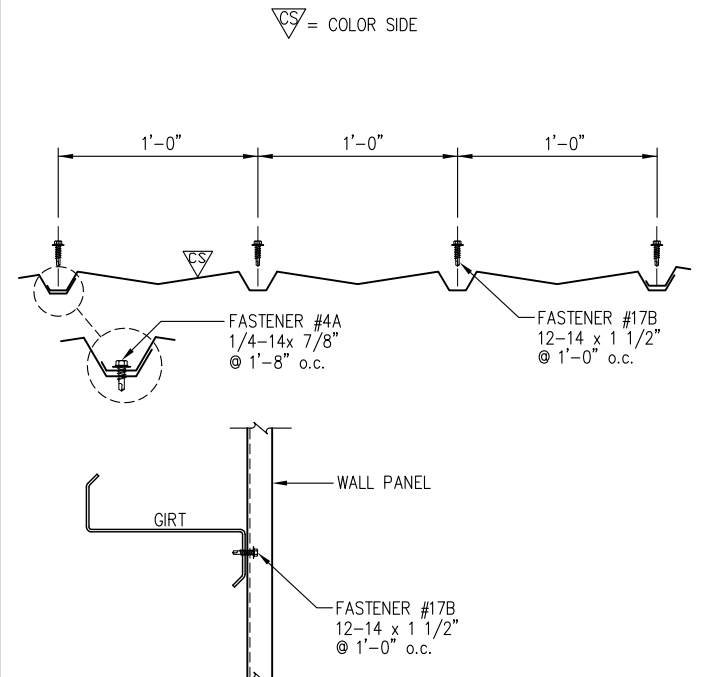
**P1** PANEL FASTENER LOCATION  
"PBR" ROOF PANEL  
(@ EAVE, PANEL ENDLAPS & RIDGE PURLIN) DATE: 10/14



**P2** PANEL FASTENER LOCATION  
"PBR" ROOF PANEL  
(@ INTERMEDIATE PURLINS) DATE: 10/14

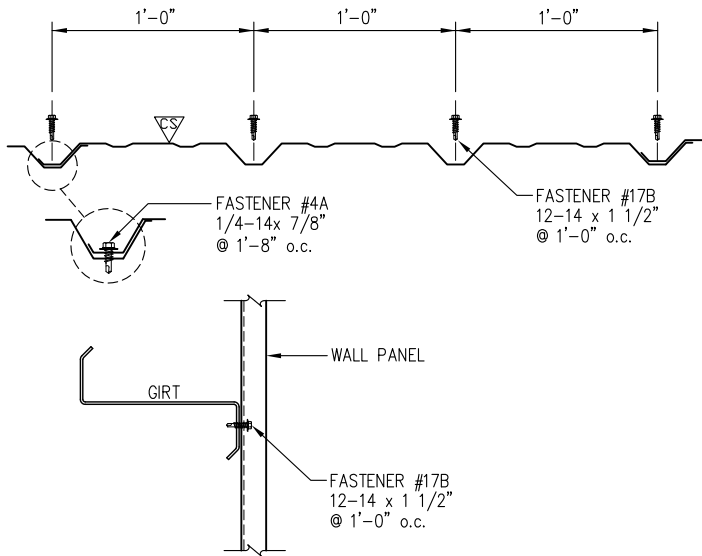


**P3** PANEL FASTENER LOCATION  
"R-TYPE" WALL PANEL  
DATE: 10/14



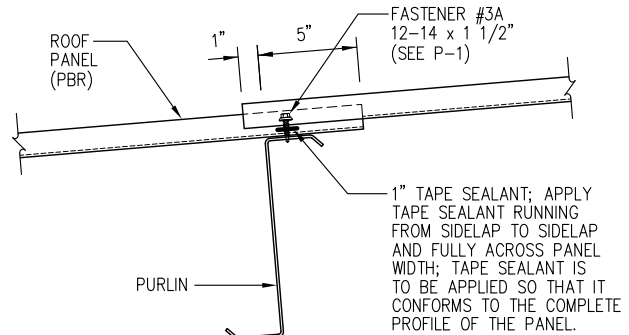
**P4** PANEL FASTENER LOCATION  
"A-TYPE" WALL PANEL  
DATE: 10/14

▽CS = COLOR SIDE



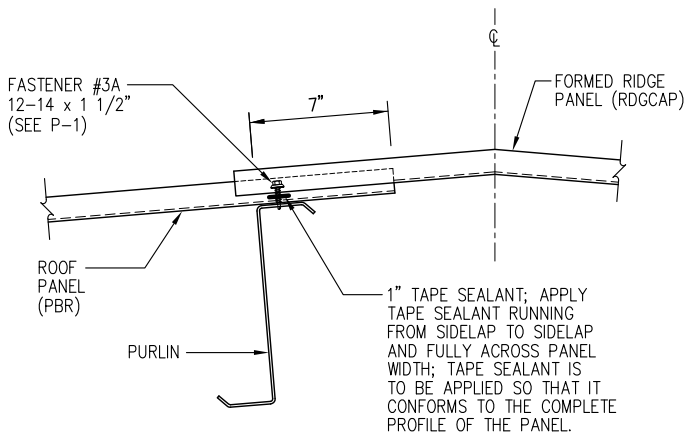
**P5** PANEL FASTENER LOCATION  
 "RR" WALL PANEL

DATE: 10/14



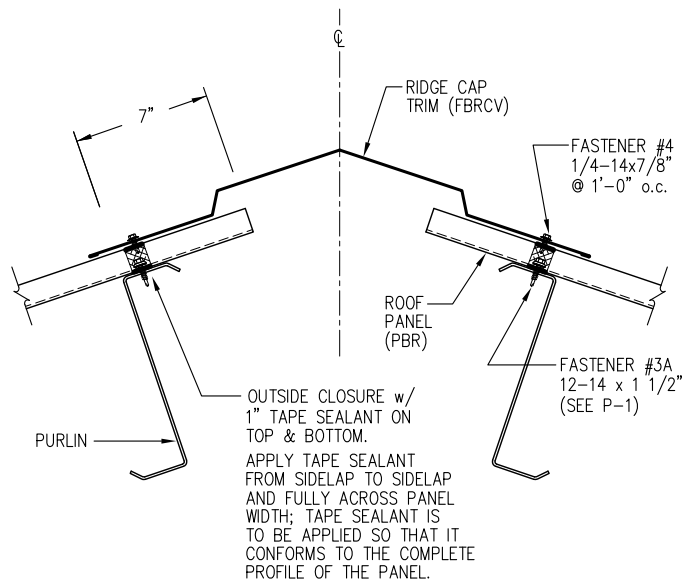
**P7** ROOF PANEL END LAP  
 "PBR" PANEL

DATE: 10/14



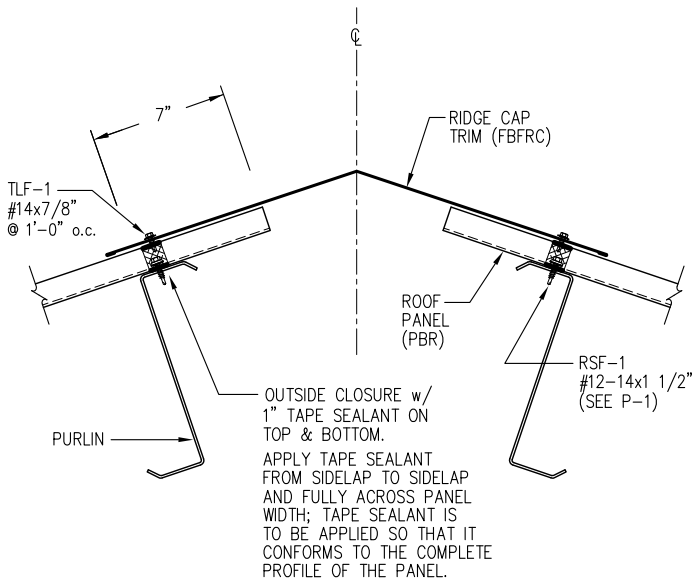
**P8** FORMED RIDGE PANEL DETAIL  
 "PBR" PANEL

DATE: 10/14



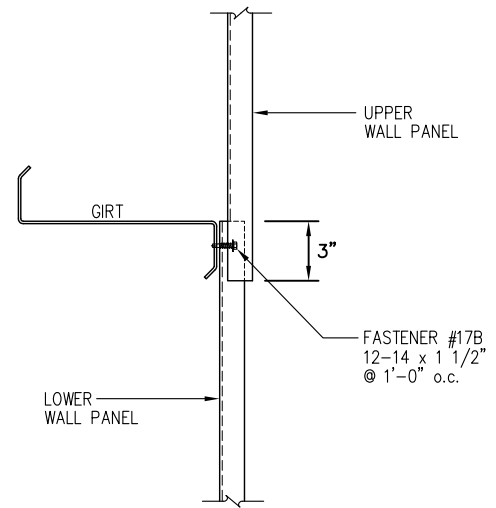
**P8A** RIDGE CAP TRIM DETAIL  
 "PBR" PANEL

DATE: 10/14



**P 8B** RIDGE CAP TRIM DETAIL  
"PBR" PANEL

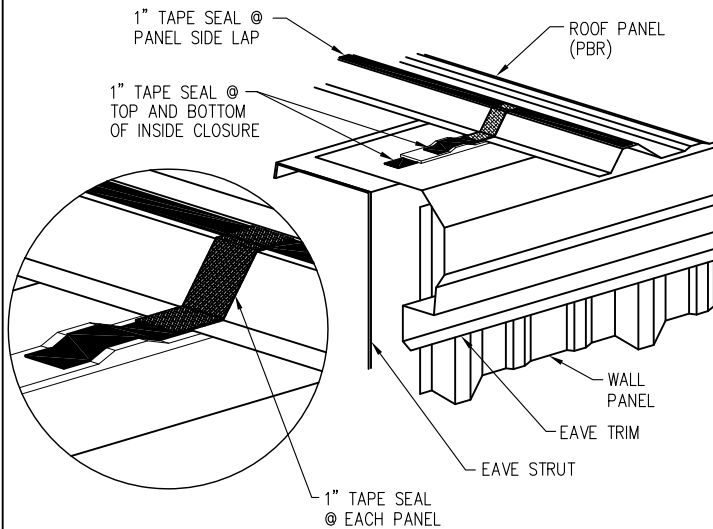
DATE: 10/14



**P 9** WALL PANEL LAP DETAIL  
ALL PANEL PROFILES

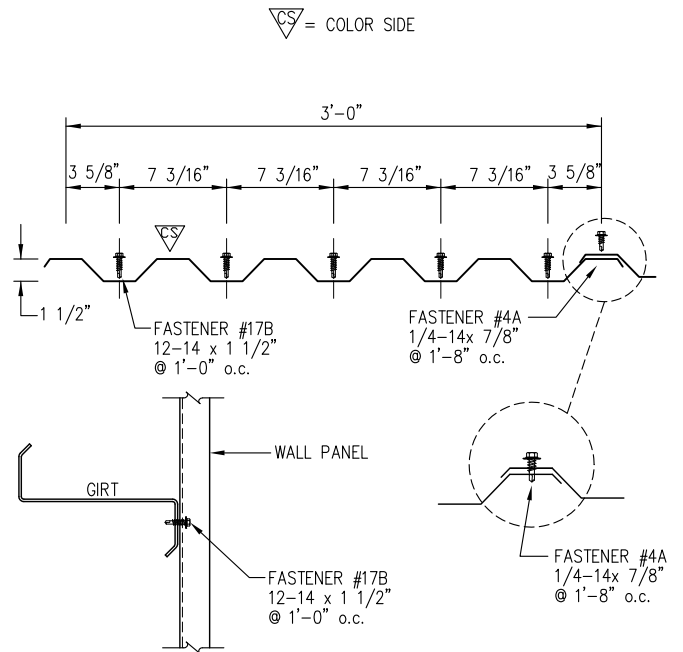
DATE: 10/14

TO INSURE A WEATHER TIGHT SEAL, THE SIDELAP SEALANT MUST EXTEND DOWN FROM THE TOP OF THE RIB TO THE SEALANT ON THE EAVE CLOSURE.



**A T1** TAPE SEAL LOCATION DETAIL  
"PBR" ROOF PANEL

DATE: 6/05



**P 12** PANEL FASTENER LOCATION  
"7.2" WALL PANEL  
(VERTICAL APPLICATION)

DATE: 10/14

THIS PAGE HAS BEEN INTENTIONALLY LEFT BLANK.