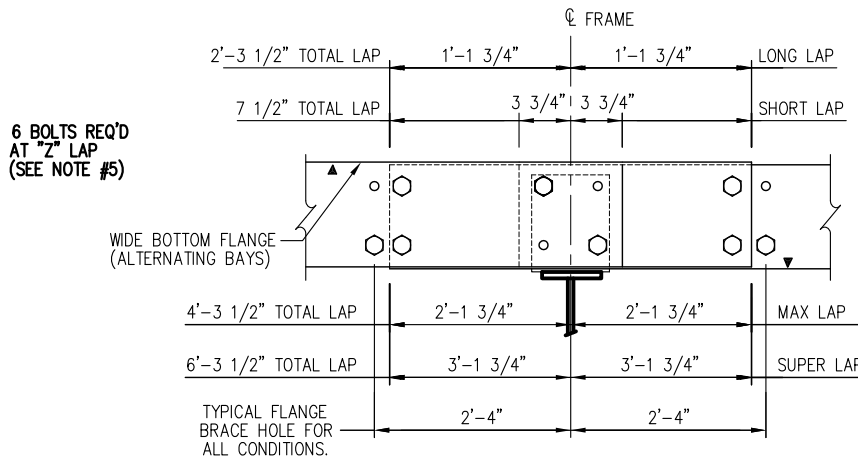




Table of Contents

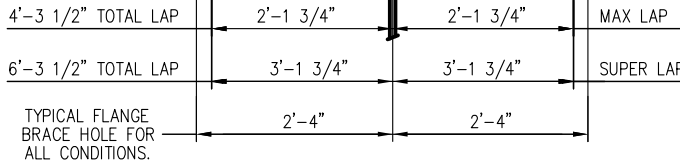
6. Structural Framing and Bracing Details

Section	Page	Description	Condition
» BRACING DETAILS			
D1	1	"Z" LAP CONDITION	PURLINS & GIRTS
D1	1	PORTAL FRAME	(8) BOLT CONNECTION
D1	1	PORTAL FRAME	(4) BOLT CONNECTION
D1	2	CABLE BRACE	TO WEB OF COLUMN
D1	2	CABLE BRACE	TO FLANGE OF COLUMN
D1	2	ROD BRACE	TO WEB OF COLUMN
D1	2	CABLE BRACE	TO FLOOR ANCHOR
D1	3	PURLIN BRACE ANGLE	FOR "PBR" ROOF OR ROOF DECKING
D1	3	PURLIN BRACE ANGLE	FOR STANDING SEAM ROOF PANEL
D1	4	PURLIN BRACE ANGLE	FOR "PBR" ROOF OR ROOF DECKING (Single Sloped bldg.)
D1	4	PURLIN BRACE ANGLE	FOR STANDING SEAM ROOF PANEL (Single Sloped bldg.)
D1	5	PURLIN STRUT	LOW EAVE STRUT TO STRUT PURLIN
D1	5	PURLIN STRUT	PURLIN STRUT TO INTERMEDIATE PURLIN
D1	5	PURLIN STRUT	HIGH EAVE STRUT TO STRUT PURLIN
D1	6	TUBE STRUT	WEB CONNECTION
D1	6	TUBE STRUT	FLANGE CONNECTION
D1	6	FLANGE BRACE	BYPASS PURLIN
D1	6	FLANGE BRACE	ENDWALL RAFTER
D1	7	FLANGE BRACE	BYPASS GIRT
D1	7	FLANGE BRACE	FLUSH GIRT
D1	7	FLANGE BRACE	1" INSET
D1	8	FOR FUTURE USE	
» ENDWALL COLUMN DETAILS			
D3	1	CORNER CONNECTIONS	BYPASS GIRT CONDITION
D3	1	CORNER CONNECTIONS	1" INSET GIRT CONDITION
D3	1	CORNER CONNECTIONS	FLUSH GIRT CONDITION
D3	1	INTERIOR ENDWALL COLUMN	COLUMN w/ CAP PLATE CONNECTION
D3	2	PEAK CONNECTION	ENDWALL RAFTER @ PEAK
D3	2	PEAK CONNECTION	ENDWALL RAFTER @ PEAK w/ CENTER COLUMN
D3	2	INTERIOR CONNECTION	SPLICE @ ENDWALL RAFTER
D3	2	PEAK CONNECTION	CENTER COLUMN EXTENDING THROUGH SPLICE
D3	3	INTERIOR ENDWALL COLUMN	COLUMN w/ (2) BOLT CONNECTION
D3	3	INTERIOR ENDWALL COLUMN	COLUMN w/ (4) BOLT CONNECTION
D3	3	INTERIOR ENDWALL COLUMN	COLUMN w/ (4) BOLT CAP PLATE CONNECTION
D3	3	COLUMN w/RAFTER CONNECTION	BACK-TO-BACK ANGLE CONNECTION
D3	4	CORNER CONNECTIONS	HIGH SIDE COLUMN w/ BYPASS OR 1" INSET CONDITION
D3	4	CORNER CONNECTIONS	HIGH SIDE COLUMN w/ FLUSH CONDITION

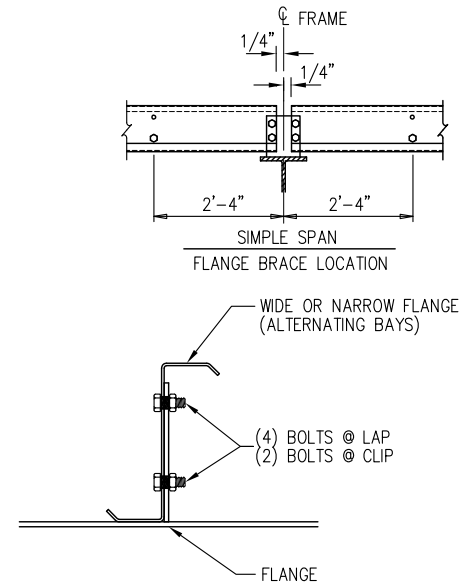


6 BOLTS REQ'D AT "Z" LAP (SEE NOTE #5)

WIDE BOTTOM FLANGE (ALTERNATING BAYS)



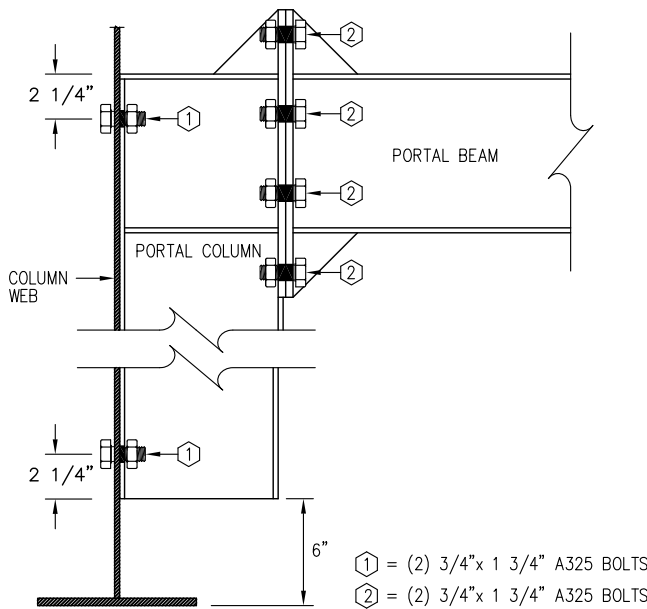
- NOTES: 1. THE LARGE FLANGE IS 1/4" WIDER THAN SMALL FLANGE.
2. TRIANGULAR PUNCH POINTS TO LARGE FLANGE.
3. LAP SMALL FLANGE INSIDE THE LARGE FLANGE.
4. LGSi DESIGNED FOR EASIER LAP & INSTALLATION (LIGHT GAGE STRUCTURAL INSTITUTE).
5. SPECIAL CONDITIONS MAY REQUIRE (8) BOLTS SEE ROOF FRAMING PLAN.



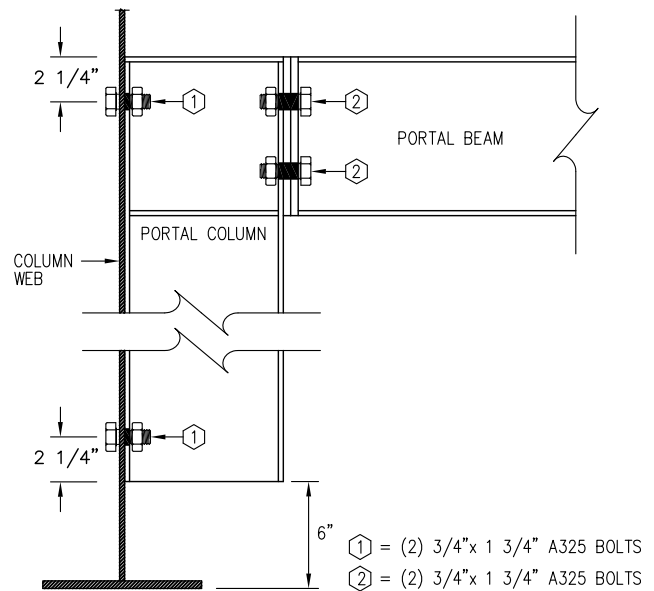
ALL BOLTS = 1/2"x 1 1/4" GR 5 BOLTS

S P1 "Z" LAP CONNECTION DETAIL
PURLINS & GIRTS

DATE: 10/14



- ① = (2) 3/4"x 1 3/4" A325 BOLTS
② = (2) 3/4"x 1 3/4" A325 BOLTS



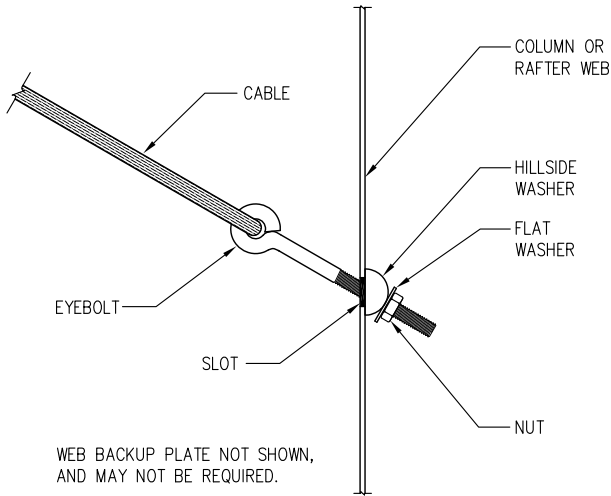
- ① = (2) 3/4"x 1 3/4" A325 BOLTS
② = (2) 3/4"x 1 3/4" A325 BOLTS

S B8 PORTAL FRAME DETAIL
(8 BOLT CONNECTION)

DATE: 10/03

S B9 PORTAL FRAME DETAIL
(4 BOLT CONNECTION)

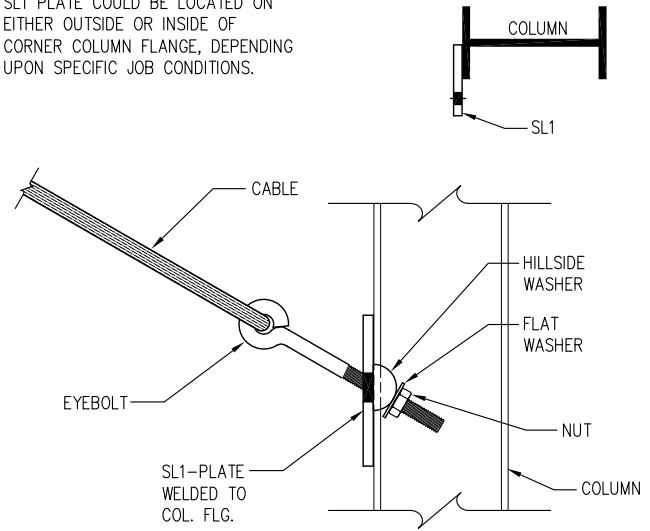
DATE: 10/03



S B1 CABLE BRACE DETAIL

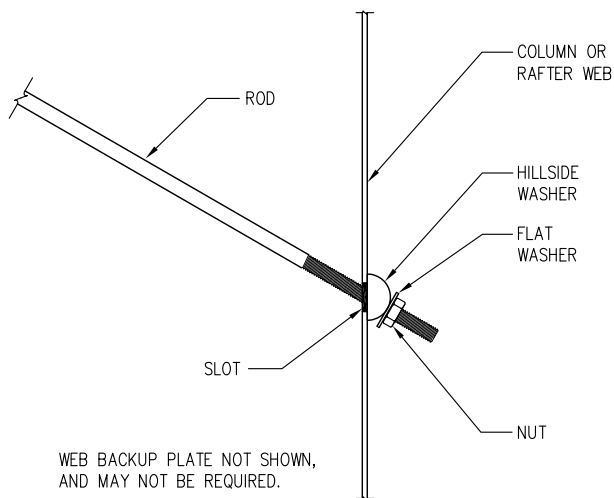
DATE: 10/14

SL1 PLATE COULD BE LOCATED ON EITHER OUTSIDE OR INSIDE OF CORNER COLUMN FLANGE, DEPENDING UPON SPECIFIC JOB CONDITIONS.



S B1A CABLE BRACE DETAIL
CABLE CONNECTION
@ COLUMN FLANGE

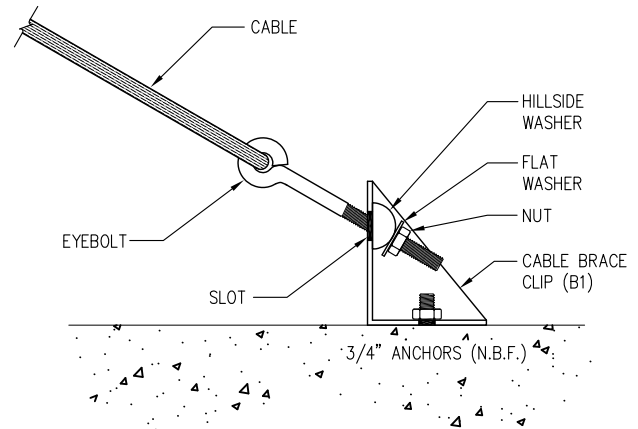
DATE: 2/05



S B2 ROD BRACE DETAIL

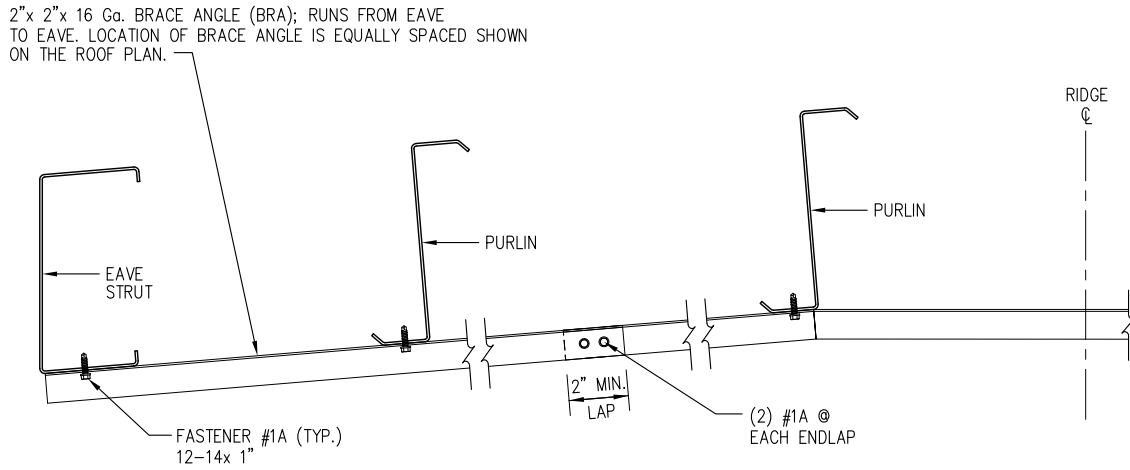
DATE: 10/03

FIELD CUT CABLE AND WRAP END TO CABLE AS NEEDED.



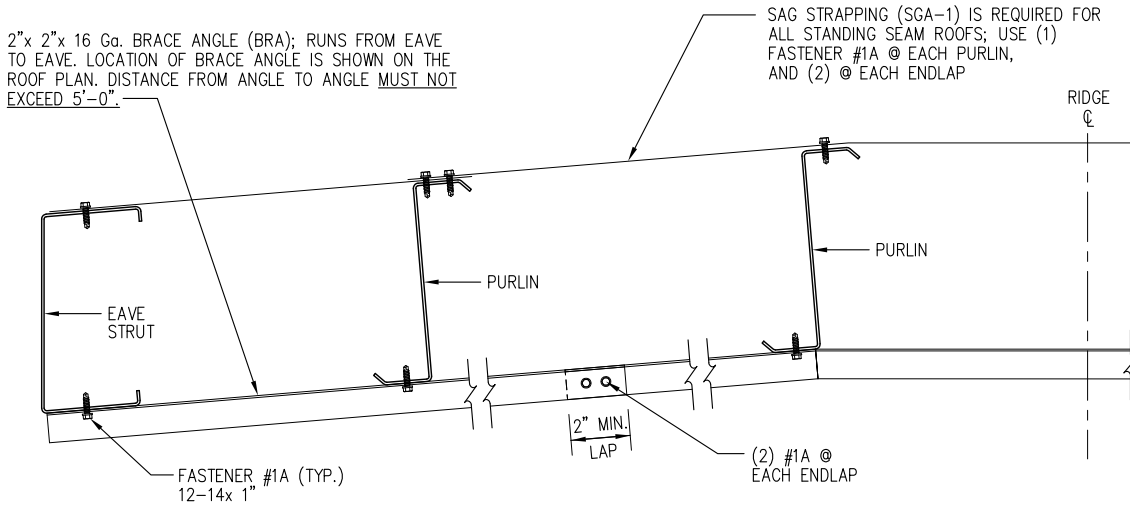
S B3 CABLE BRACE CLIP DETAIL

DATE: 10/03



S B4 PURLIN BRACE ANGLE DETAIL
 FOR "PBR" ROOF OR ROOF DECKING

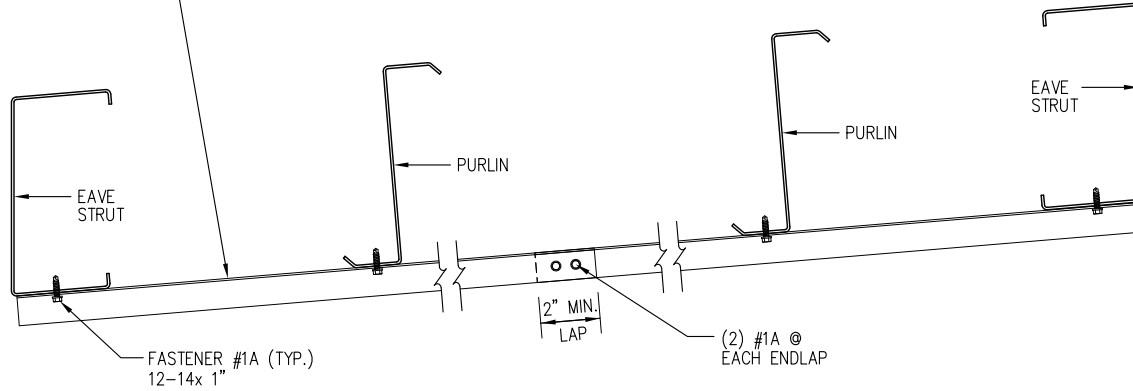
DATE: 10/14



S B5 PURLIN BRACE ANGLE DETAIL
 FOR STANDING SEAM ROOF PANELS

DATE: 10/14

2"x 2"x 16 Ga. BRACE ANGLE (BRA); RUNS FROM EAVE TO EAVE. LOCATION OF BRACE ANGLE IS EQUALLY SPACED SHOWN ON THE ROOF PLAN.



S B4A

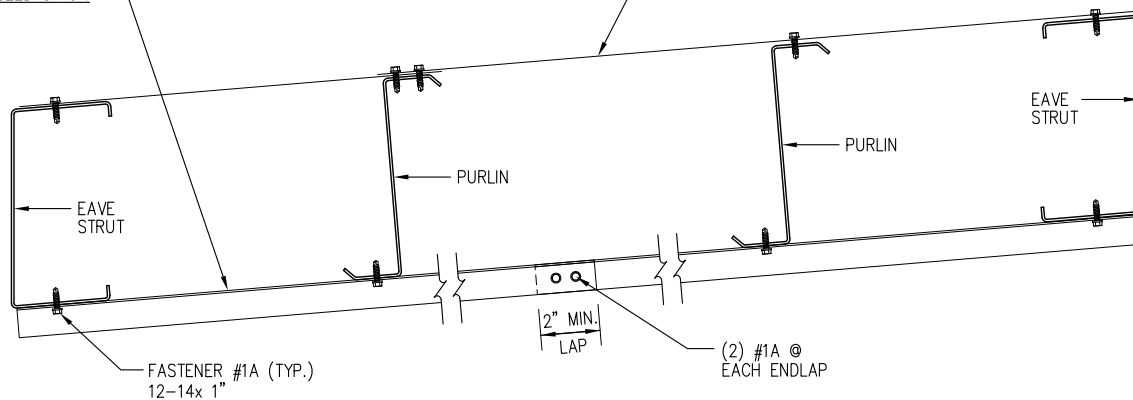
PURLIN BRACE ANGLE DETAIL

FOR "PBR" ROOF OR ROOF DECKING

DATE: 10/14

2"x 2"x 16 Ga. BRACE ANGLE (BRA); RUNS FROM EAVE TO EAVE. LOCATION OF BRACE ANGLE IS SHOWN ON THE ROOF PLAN. DISTANCE FROM ANGLE TO ANGLE MUST NOT EXCEED 5'-0".

SAG STRAPPING (SGA-1) IS REQUIRED FOR ALL STANDING SEAM ROOFS; USE (1) FASTENER #1A @ EACH PURLIN, AND (2) @ EACH ENDLAP

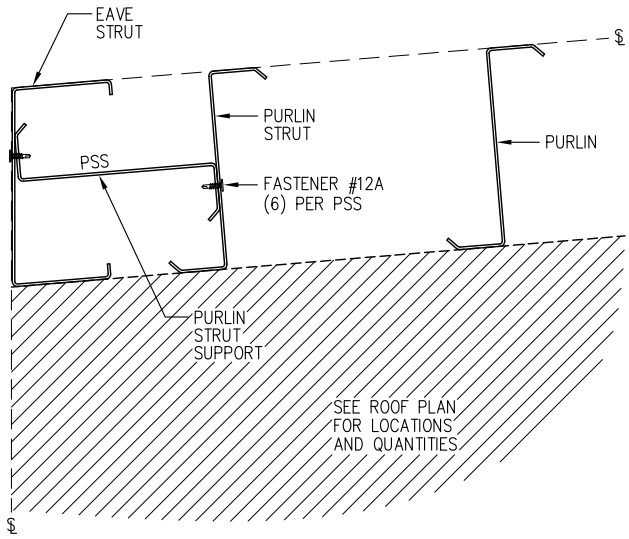


S B5A

PURLIN BRACE ANGLE DETAIL

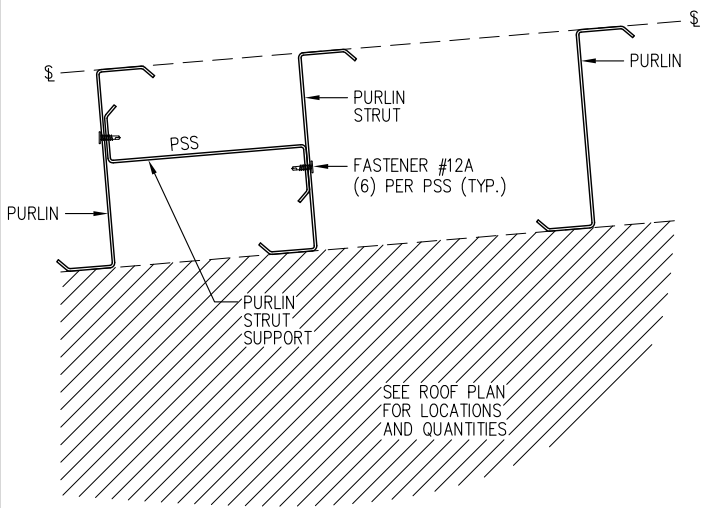
FOR STANDING SEAM ROOF PANELS

DATE: 10/14



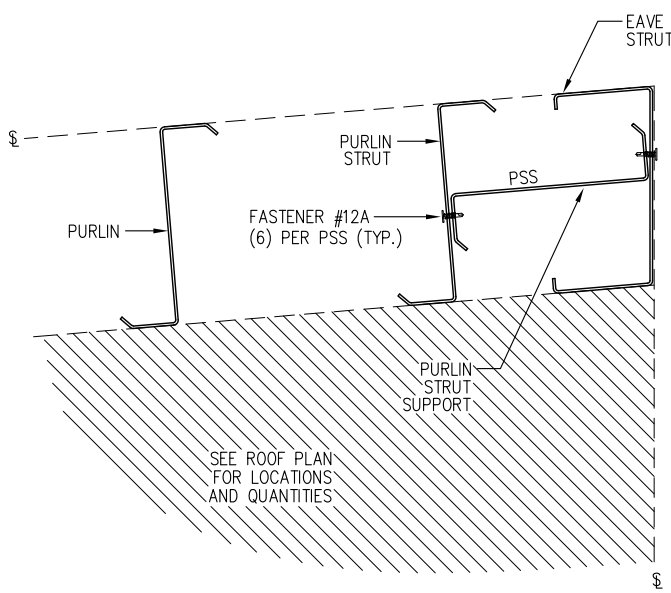
S B6 PURLIN STRUT DETAIL

DATE: 10/14



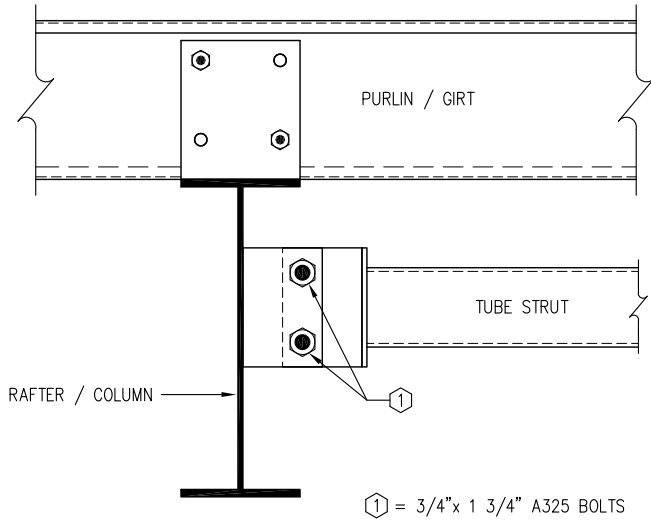
S B6A PURLIN STRUT DETAIL

DATE: 10/14



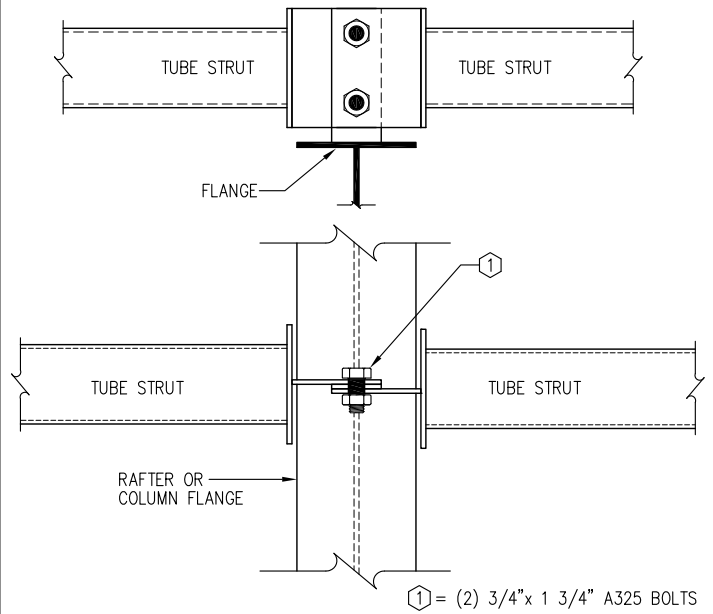
S B7 PURLIN STRUT DETAIL

DATE: 10/14



S B11 TUBE STRUT DETAIL
WEB CONNECTION

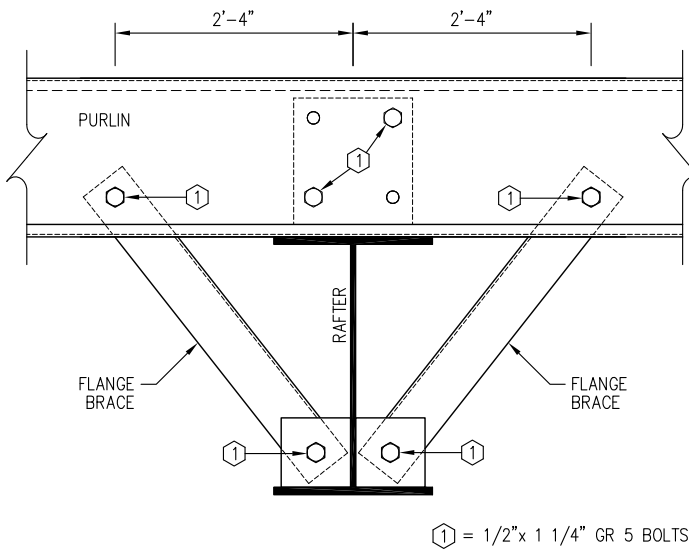
DATE: 6/05



S B12 TUBE STRUT DETAIL
FLANGE CONNECTION

DATE: 6/05

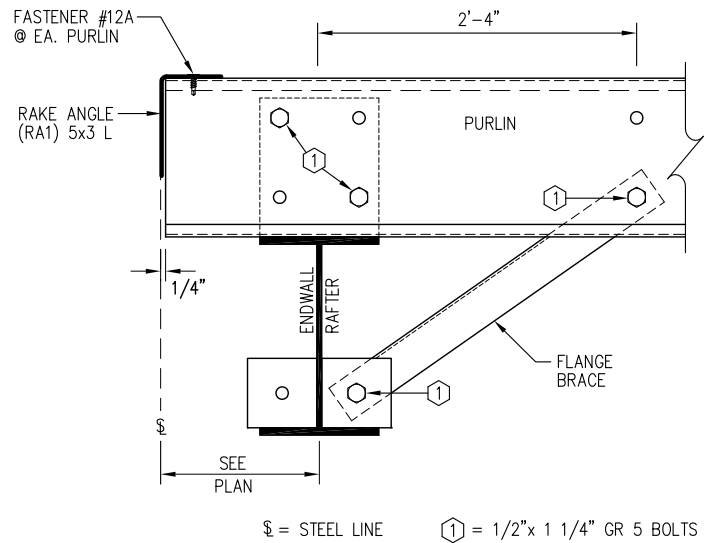
SEE CROSS SECTION FOR LOCATIONS, QUANTITIES AND SIZES OF FLANGE BRACES.



S P2 FLANGE BRACE DETAIL
BYPASS PURLIN CONDITION

DATE: 10/14

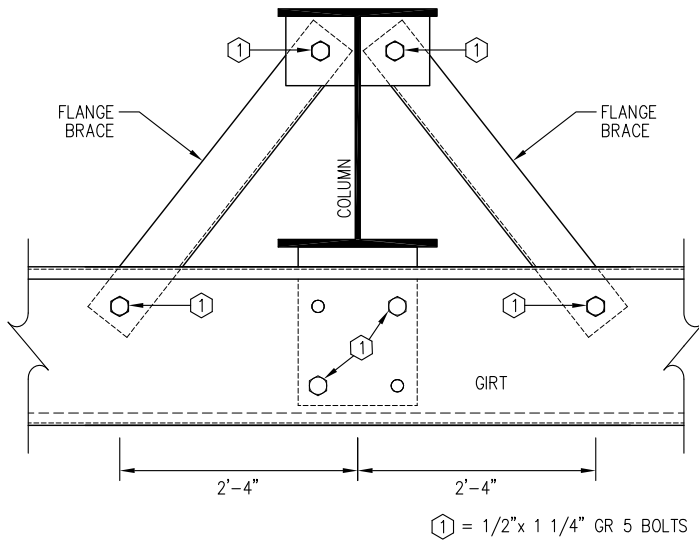
SEE CROSS SECTION FOR LOCATIONS, QUANTITIES AND SIZES OF FLANGE BRACES.



S P3 FLANGE BRACE DETAIL
ENDWALL RAFTER CONDITION

DATE: 10/14

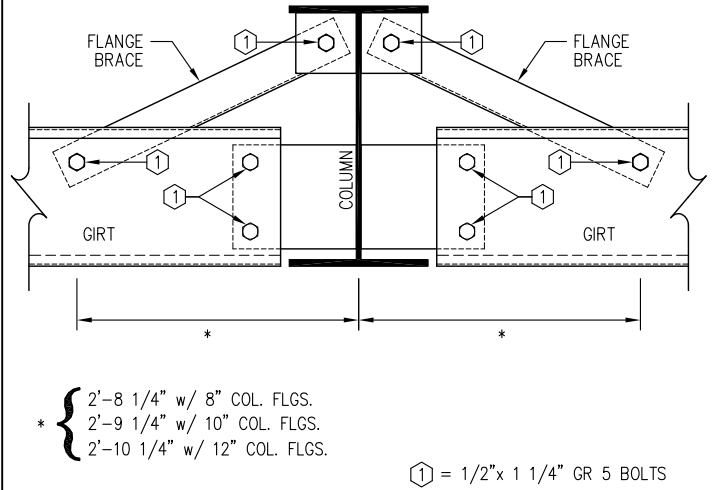
SEE CROSS SECTION FOR LOCATIONS, QUANTITIES AND SIZES OF FLANGE BRACES.



S G1 FLANGE BRACE DETAIL
BYPASS GIRT CONDITION

DATE: 10/14

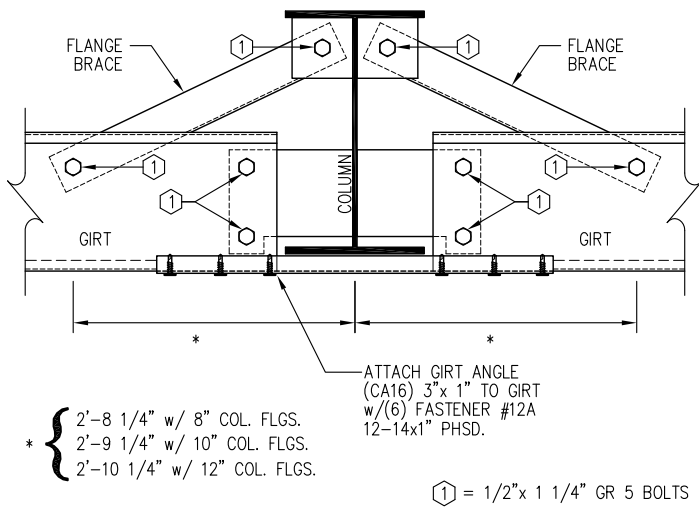
SEE CROSS SECTION FOR LOCATIONS, QUANTITIES AND SIZES OF FLANGE BRACES.



S G2 FLANGE BRACE DETAIL
FLUSH GIRT CONDITION

DATE: 10/14

SEE CROSS SECTION FOR LOCATIONS, QUANTITIES AND SIZES OF FLANGE BRACES.

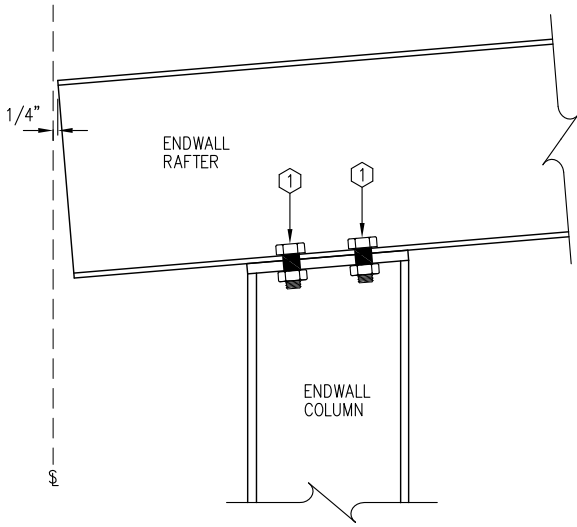


S G3 FLANGE BRACE DETAIL
1" INSET CONDITION

DATE: 10/14

**FOR FLANGE BRACING
WITH LINER PANEL
{SEE SECTION 9 (LINER)}**

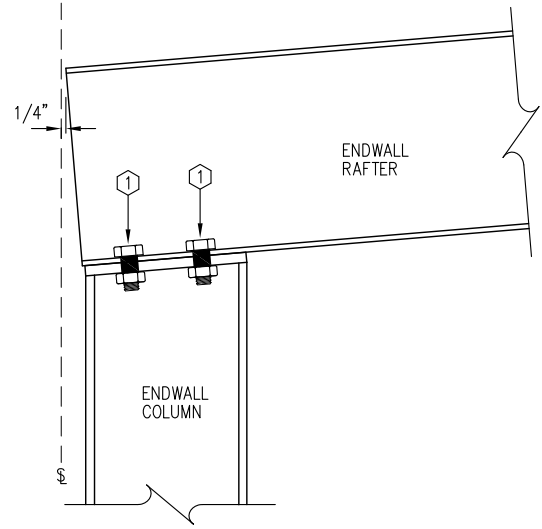
THIS PAGE HAS BEEN INTENTIONALLY LEFT BLANK.



⊥ = STEEL LINE

① = (2) 3/4" x 1 3/4" A325 BOLTS

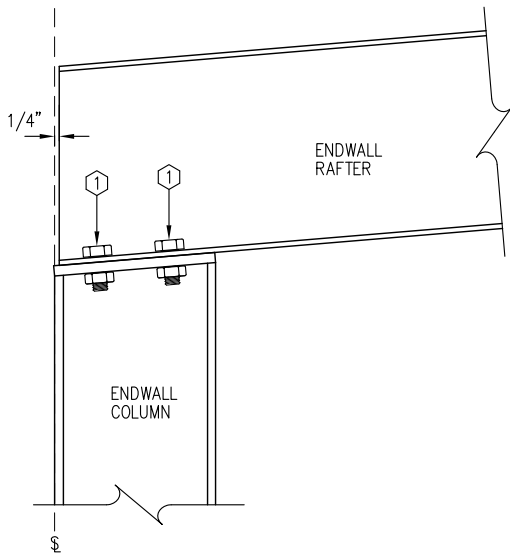
S4 **RAFTER CONNECTION DETAIL**
ENDWALL RAFTER TO CORNER COLUMN
BYPASS GIRT CONDITION DATE: 10/14



⊥ = STEEL LINE

① = (2) 3/4" x 1 3/4" A325 BOLTS

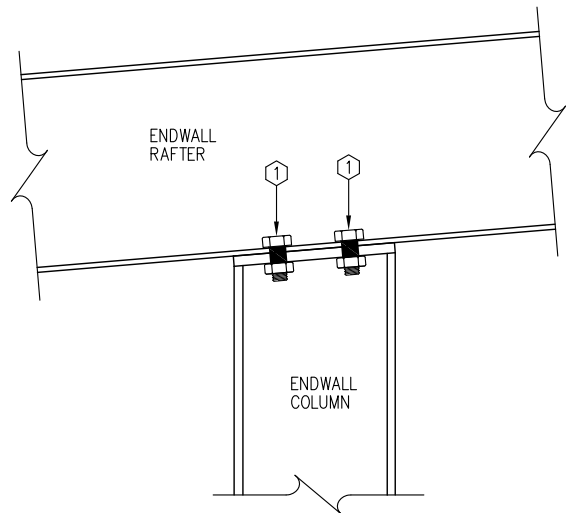
S5 **RAFTER CONNECTION DETAIL**
ENDWALL RAFTER TO CORNER COLUMN
1" INSET GIRT CONDITION DATE: 10/14



⊥ = STEEL LINE

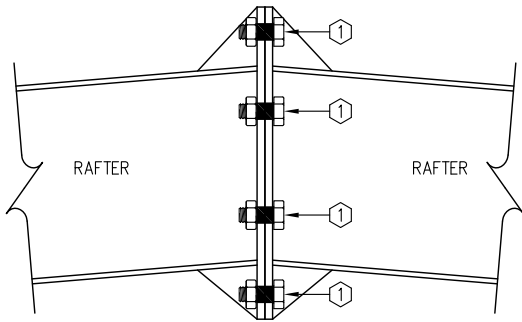
① = (2) 3/4" x 1 3/4" A325 BOLTS

S7 **RAFTER CONNECTION DETAIL**
ENDWALL RAFTER TO CORNER COLUMN
FLUSH GIRT CONDITION DATE: 10/14

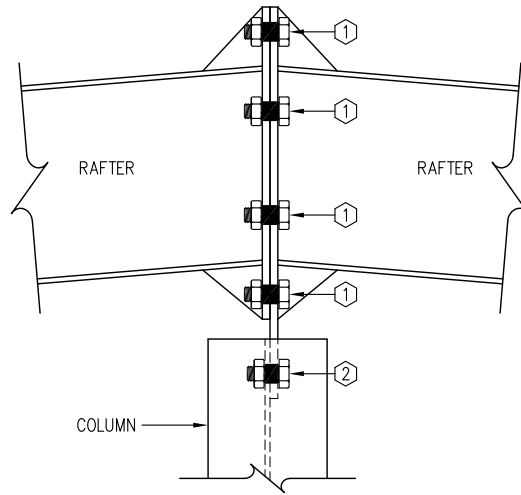


① = (2) 3/4" x 1 3/4" A325 BOLTS

S10 **RAFTER CONNECTION DETAIL**
ENDWALL RAFTER TO ENDWALL COLUMN
COLUMN CAP PLATE CONNECTION DATE: 10/14



① = (2) 3/4"x 2" A325 BOLTS



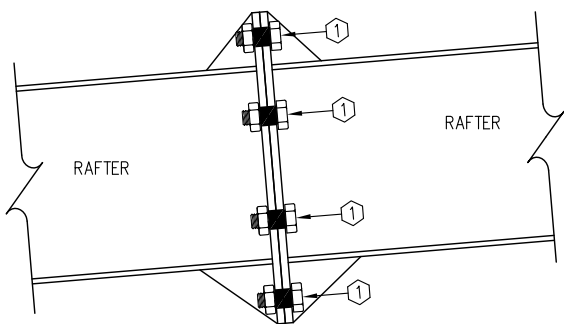
① = (2) 3/4"x 2" A325 BOLTS
 ② = (2) 3/4"x 1 3/4" A325 BOLTS

S1 PEAK CONNECTION DETAIL
 ENDWALL RAFTERS @ PEAK

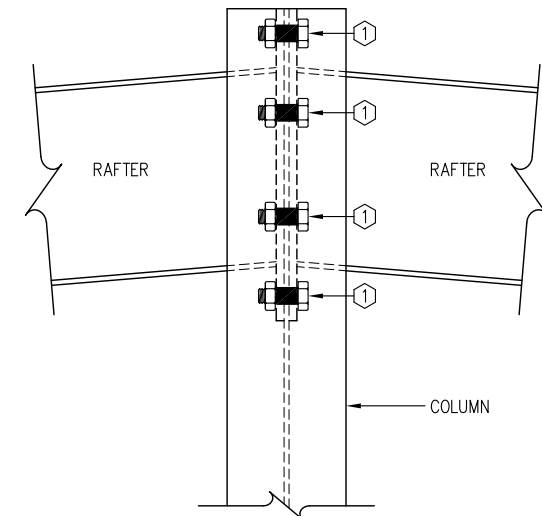
DATE: 10/14

S2 PEAK CONNECTION DETAIL
 ENDWALL RAFTERS @ PEAK
 CENTER COLUMN SHOWN

DATE: 10/14



① = (2) 3/4"x 2" A325 BOLTS



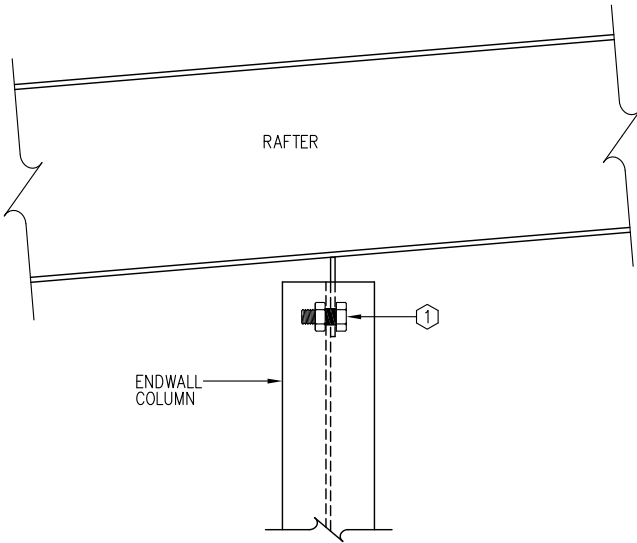
① = (2) 3/4"x 2" A325 BOLTS

S1A INT. CONNECTION DETAIL
 ENDWALL RAFTERS CONNECTION

DATE: 10/14

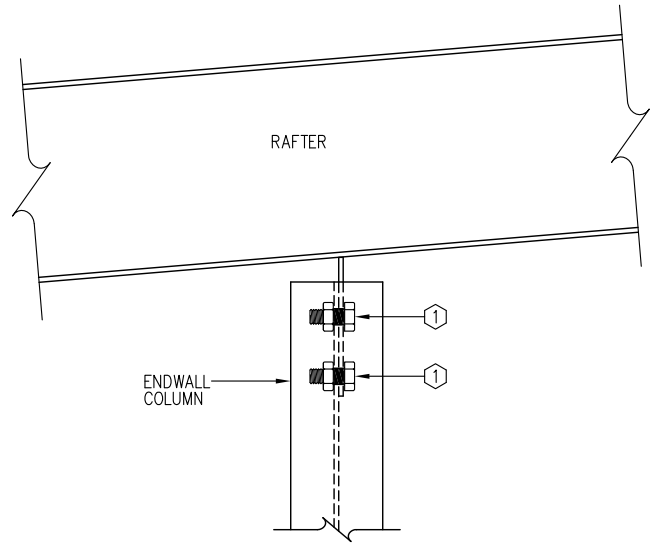
S3 PEAK CONNECTION DETAIL
 ENDWALL RAFTERS @ PEAK
 CENTER COLUMN SHOWN

DATE: 10/14



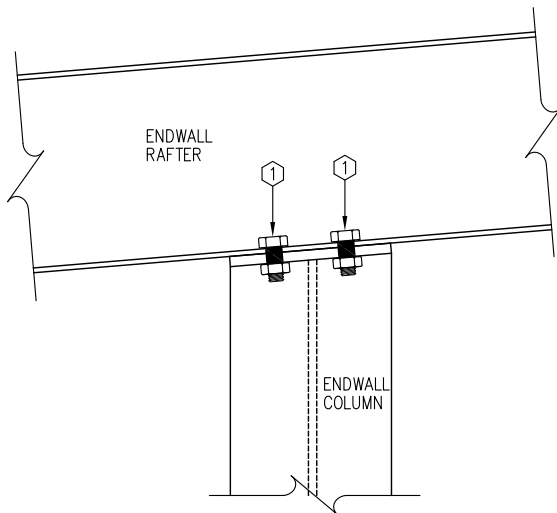
① = (2) 3/4" x 1 1/2" A325 BOLTS

S8 **RAFTER CONNECTION DETAIL**
ENDWALL COLUMN TO RAFTER CONNECTION
(2) BOLT CONNECTION DATE: 10/14



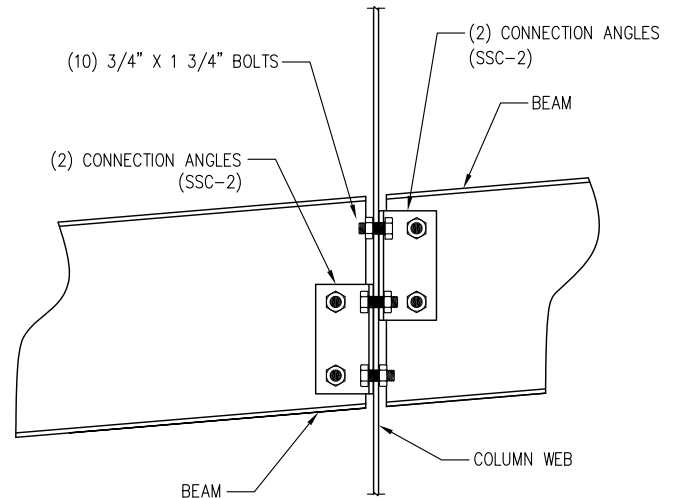
① = (2) 3/4" x 1 1/2" A325 BOLTS

S9 **RAFTER CONNECTION DETAIL**
ENDWALL COLUMN TO RAFTER CONNECTION
(4) BOLT CONNECTION DATE: 10/14

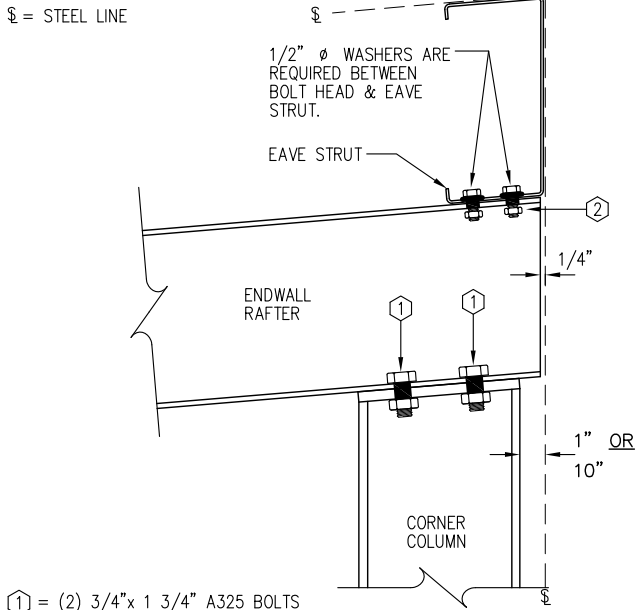


① = (2) 3/4" x 1 3/4" A325 BOLTS

S10A **RAFTER CONNECTION DETAIL**
ENDWALL RAFTER TO ENDWALL COLUMN
COLUMN CAP PLATE CONNECTION DATE: 10/14

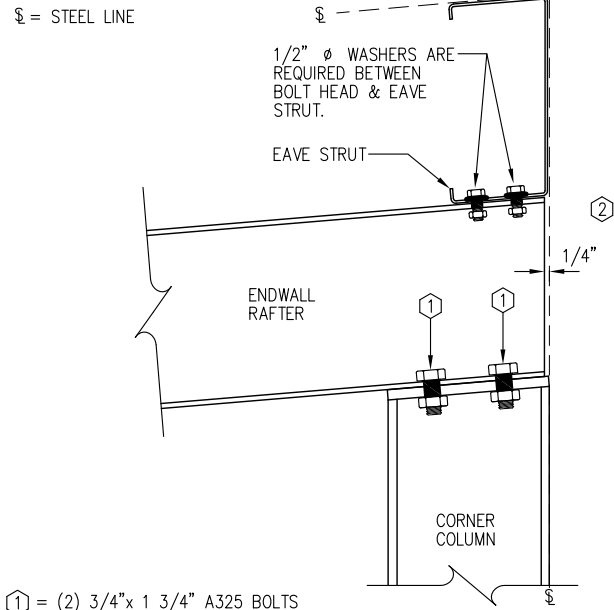


S13 **RAFTER BEAM CONNECTION**
RAFTER TO COLUMN WEB DATE: 10/14



- ① = (2) 3/4"x 1 3/4" A325 BOLTS
- ② = (2) 1/2"x 1 1/4" GR 5 BOLTS

S11 **RAFTER CONNECTION DETAIL**
 ENDWALL RAFTER TO CORNER COLUMN
 BYPASS OR 1" INSET GIRT CONDITION DATE: 10/14



- ① = (2) 3/4"x 1 3/4" A325 BOLTS
- ② = (2) 1/2"x 1 1/4" GR 5 BOLTS

S12 **RAFTER CONNECTION DETAIL**
 ENDWALL RAFTER TO CORNER COLUMN
 FLUSH GIRT CONDITION DATE: 10/14