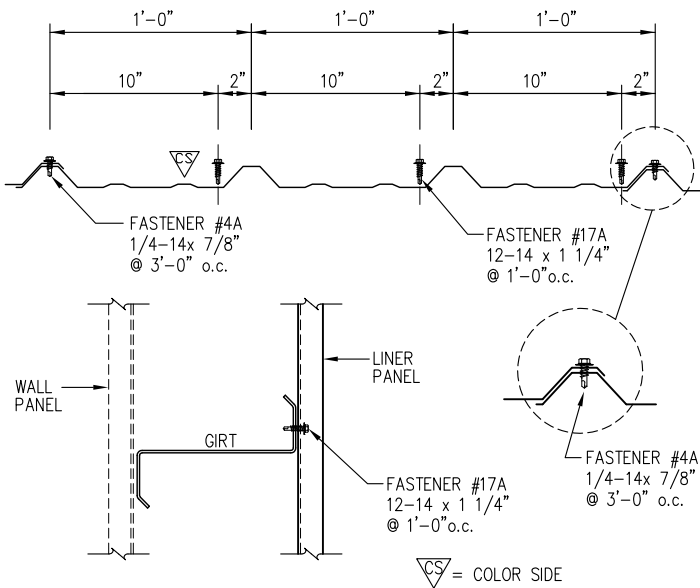




Table of Contents

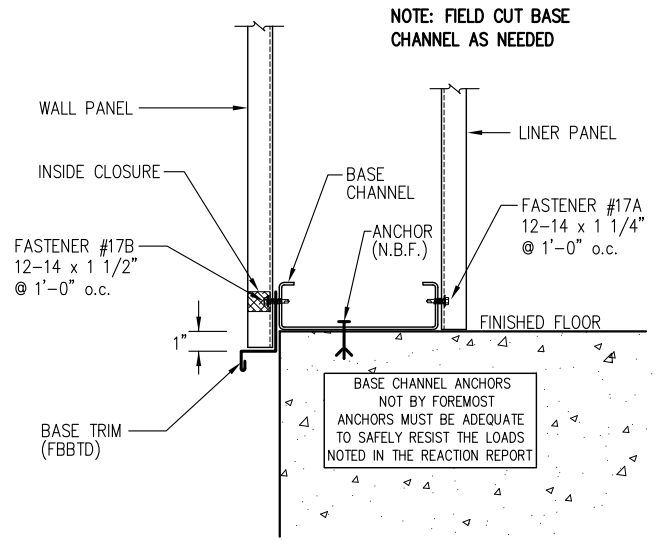
6. Wall and Roof Liner Details

Section	Page	Description	Condition
		» LINER DETAILS	
D9	1	LINER PANEL FASTENER	FASTENER LOCATION ("PBR" PANEL SHOWN)
D9	1	BASE DETAIL	w/ LINER @ FLOOR
D9	1	BASE DETAIL	w/ LINER @ CURB OR MASONRY WALL (HIGH BASE TRIM)
D9	1	BASE DETAIL	w/ LINER @ CURB OR MASONRY WALL (RETURN LEG BASE TRIM)
D9	2	LINER PANEL DETAIL	PANEL ABOVE INTERMEDIATE GIRT (OPEN BELOW)
D9	2	ROOF LINER DETAIL	TRIM @ RIDGE
D9	2	LINER PANEL DETAIL	NON-FULL HEIGHT LINER - FINISHED FLOOR TO GIRT
D9	2	ROOF LINER LAP DETAIL	@ INTERMEDIATE PURLIN
D9	3	SIDEWALL LINER DETAIL	FULL HEIGHT WALL LINER - LOW EAVE
D9	3	SIDEWALL LINER DETAIL	FULL HEIGHT WALL LINER - HIGH EAVE
D9	3	SIDEWALL LINER DETAIL	FULL HEIGHT WALL LINER w/ ROOF LINER - LOW EAVE
D9	3	SIDEWALL LINER DETAIL	FULL HEIGHT WALL LINER w/ ROOF LINER - HIGH EAVE
D9	4	ENDWALL LINER DETAIL	FULL HEIGHT WALL - FLUSH GIRTS
D9	4	LINER PANEL DETAIL	LINER TRIM BETWEEN PURLINS
D9	4	ENDWALL LINER DETAIL	FULL HEIGHT WALL & ROOF LINER - FLUSH GIRTS
D9	4	LINER INSIDE CORNER DETAIL	"PBR" WALL PANEL
D9	5	ENDWALL LINER DETAIL	FULL HEIGHT WALL - BYPASS GIRTS
D9	5	ENDWALL LINER DETAIL	FULL HIEGHT WALL & ROOF LINER - BYPASS GIRTS
D9	5	LINER TRIM @ CORNER COLUMN	BYPASS GIRT CONDITION (2" SPACE @ SIDEWALL)
D9	5	LINER TRIM @ CORNER COLUMN	BYPASS GIRT CONDITION (SW GIRT FLUSH TO COLUMN)
D9	6	LINER FLANGE BRACE DETAIL	w/ ROOF LINER
D9	6	PURLIN TO ENDWALL RAFTER	w/ ROOF LINER
D9	6	LINER FLANGE BRACE DETAIL	1" INSET GIRT CONDITION (FLUSH GIRT CONDITION SIMILAR)
D9	6	LINER FLANGE BRACE DETAIL	BYPASS GIRT CONDITION
D9	7	FLANGE BRACE DETAIL	w/ CAVITY-FILLED FABRIC INSULATION
D9	7	PURLIN TO ENDWALL RAFTER	w/ CAVITY-FILLED FABRIC INSULATION
D9	7	SW SIMPLE SAVER INSULATION DETAIL	LOW EAVE DETAIL
D9	7	SW SIMPLE SAVER INSULATION DETAIL	HIGH EAVE DETAIL
D9	8	TRIM @ COLUMN DETAIL	GIRT FLUSH TO COLUMN
D9	8	LINER TRIM @ COLUMN DETAIL	2" SPACE BETWEEN GIRT & COLUMN
D9	8	HEAD TRIM DETAIL	w/LINER @ VERTICAL-LIFT DOOR (w/COVER TRIMS)
D9	8	JAMB TRIM	w/LINER @ OVERHEAD DOOR (w/COVER TRIMS)
D9	9	HEADER DETAIL	WALKDOOR CONDITION w/ LINER PANEL
D9	9	JAMB DETAIL	WALKDOOR CONDITION w/ LINER PANEL
D9	9	FRAMED OPENING DETAIL	WINDOW CONDITION w/LINER
D9	9	JAMB TRIM	WINDOW CONDITION w/LINER
D9	10	FOR FUTURE USE	



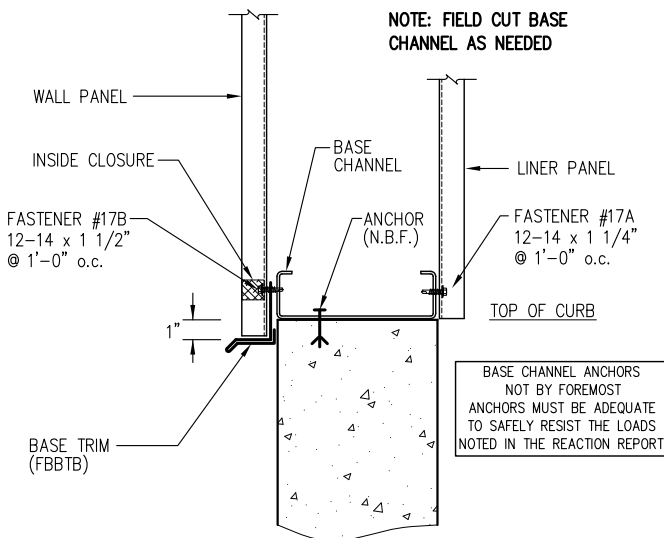
L2 LINER PANEL FASTENER LOCATION
"R-TYPE" LINER PANEL

DATE: 10/14



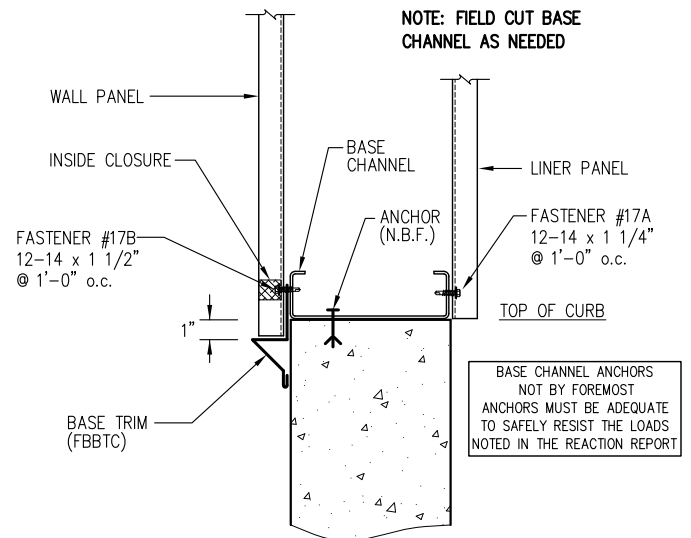
L3 BASE TRIM DETAIL
(w/ LINER)

DATE: 10/14



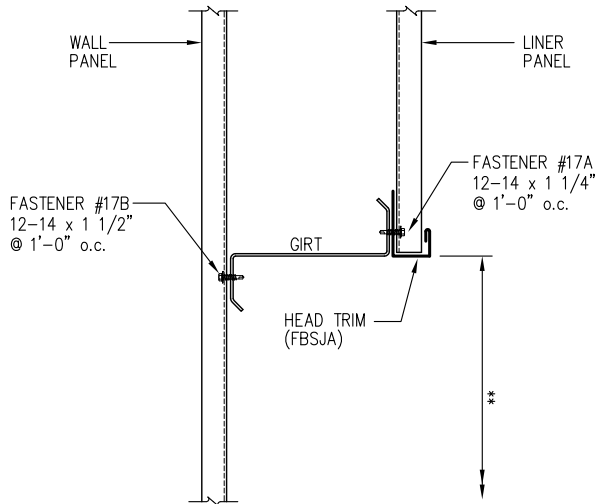
L4 BASE TRIM DETAIL
CURB OR MASONRY WALL
(w/ LINER)

DATE: 10/14



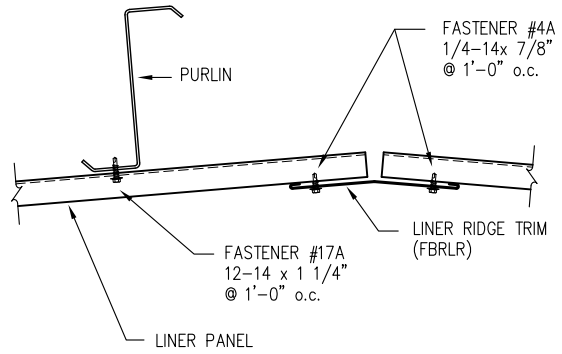
L5 BASE TRIM DETAIL
CURB OR MASONRY WALL
(w/ LINER)

DATE: 10/14



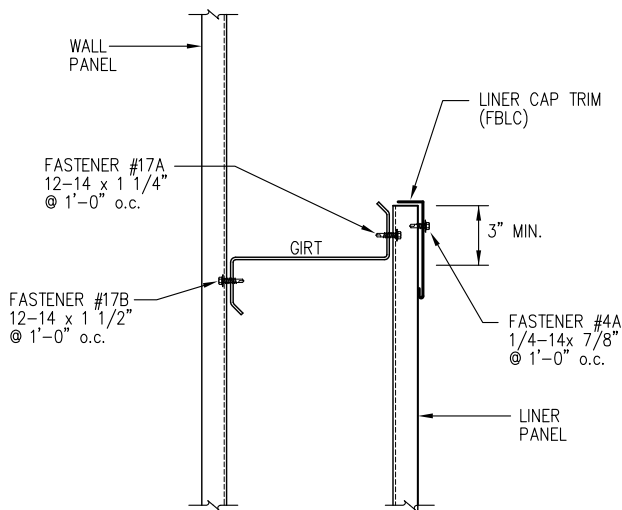
L7 LINER PANEL DETAIL
 OPEN BELOW GIRT
 1 1/4" DEEP PANEL

DATE: 10/14



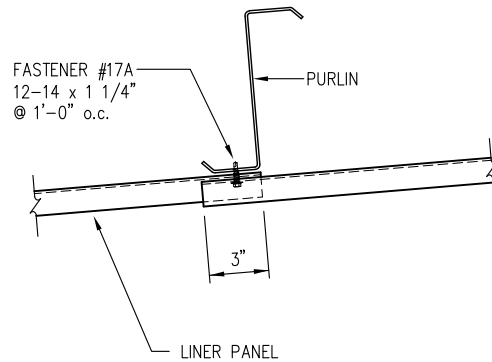
L9 ROOF LINER DETAIL
 TRIM @ RIDGE

DATE: 10/14



L10 LINER PANEL DETAIL
 NON-FULL HEIGHT LINER

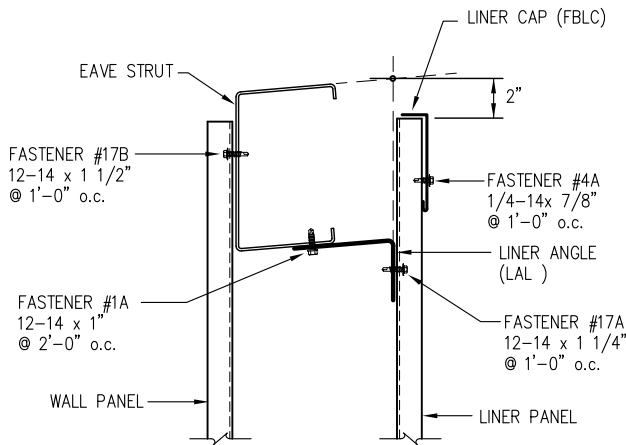
DATE: 10/14



L50 ROOF LINER LAP DETAIL
 1 1/4" PANEL

DATE: 10/14

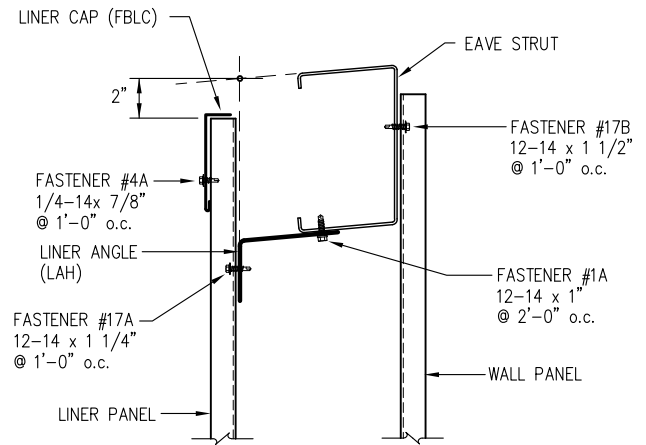
FIELD NOTCH LINER PANEL AS NEEDED FOR BRIDGING ANGLE



L11 **SIDEWALL LINER DETAIL**
FULL HEIGHT LINER - LOW EAVE

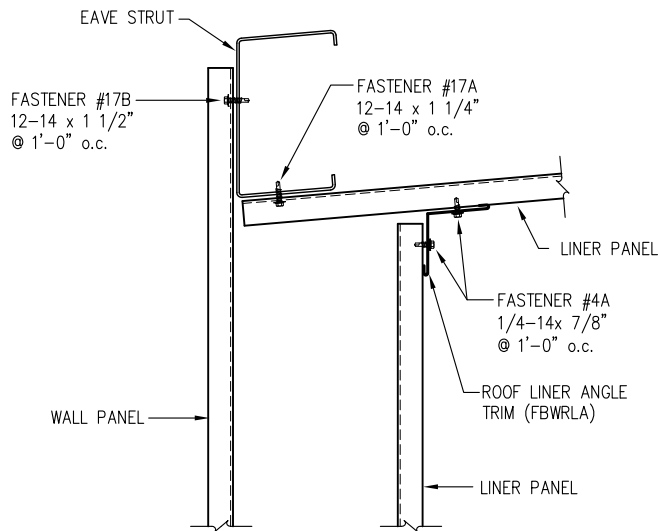
DATE: 10/14

FIELD NOTCH LINER PANEL AS NEEDED FOR BRIDGING ANGLE



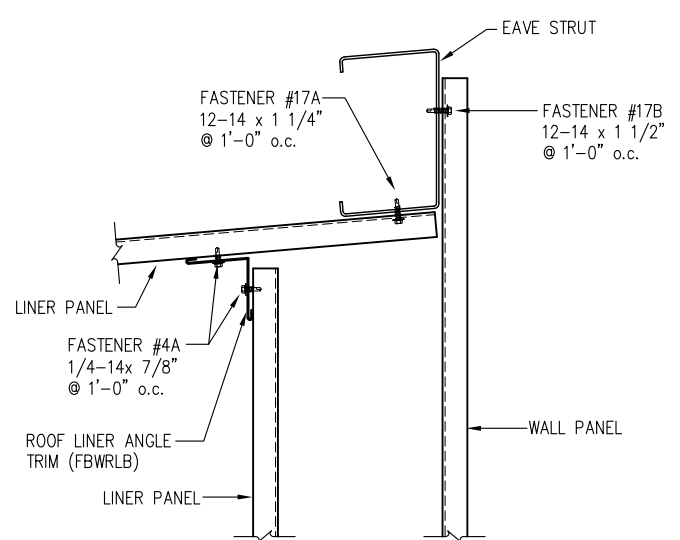
L12 **SIDEWALL LINER DETAIL**
FULL HEIGHT LINER - HIGH EAVE

DATE: 10/14



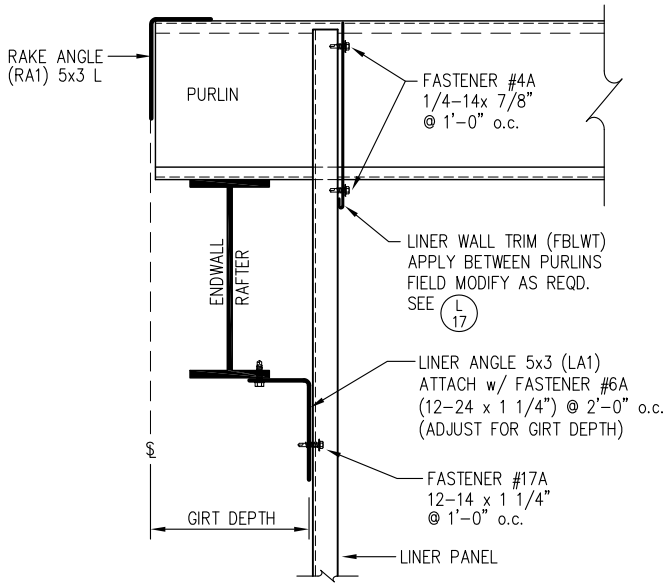
L13 **SIDEWALL LINER DETAIL**
FULL HEIGHT WALL WITH ROOF LINER
(LOW EAVE)

DATE: 10/14



L14 **SIDEWALL LINER DETAIL**
FULL HEIGHT WALL WITH ROOF LINER
(HIGH EAVE)

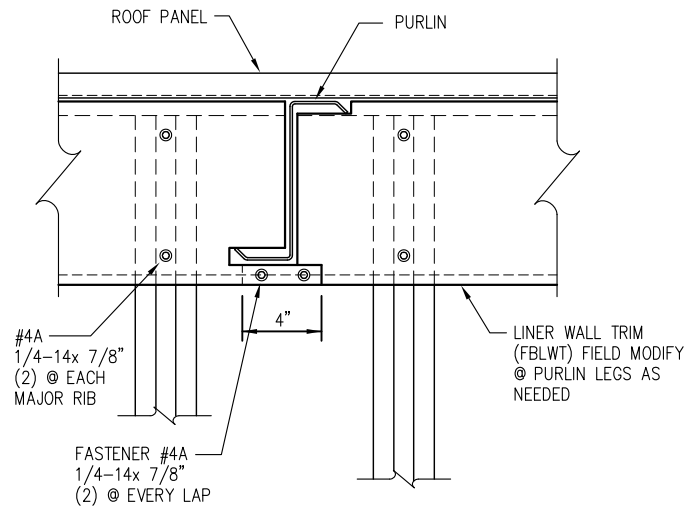
DATE: 10/14



⊥ = STEEL LINE

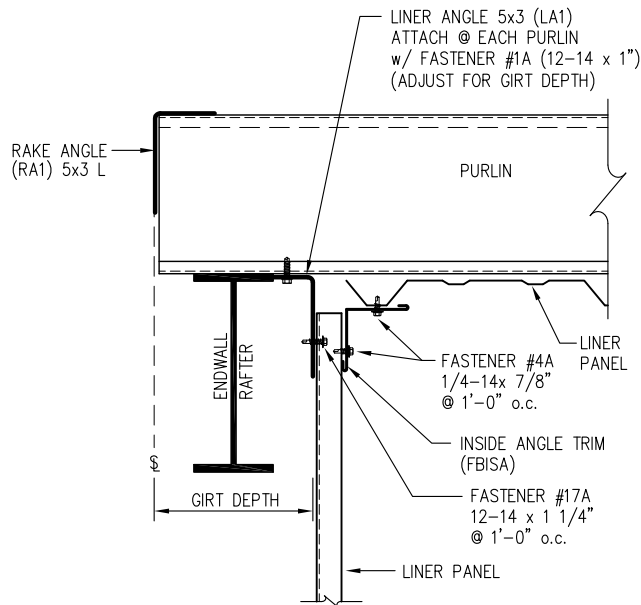
L16 **ENDWALL LINER DETAIL**
FULL-HEIGHT WALL
FLUSH GIRTS

DATE: 10/14



L17 **LINER PANEL DETAIL**
LINER TRIM BETWEEN PURLINS

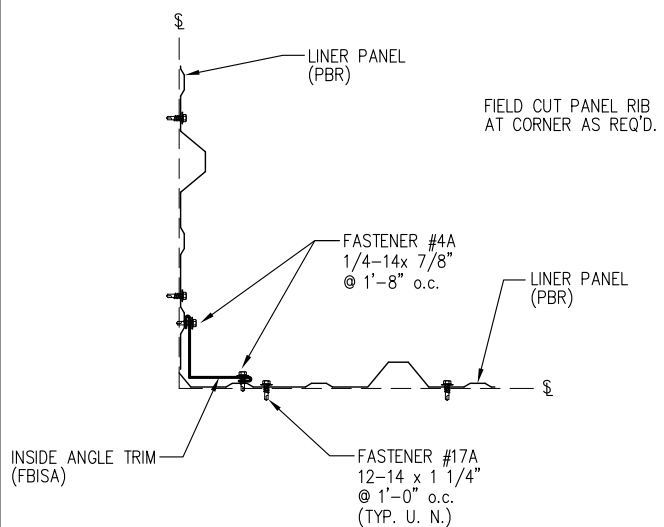
DATE: 10/14



⊥ = STEEL LINE

L15 **ENDWALL LINER DETAIL**
FULL-HEIGHT WALL & ROOF LINER
FLUSH GIRTS

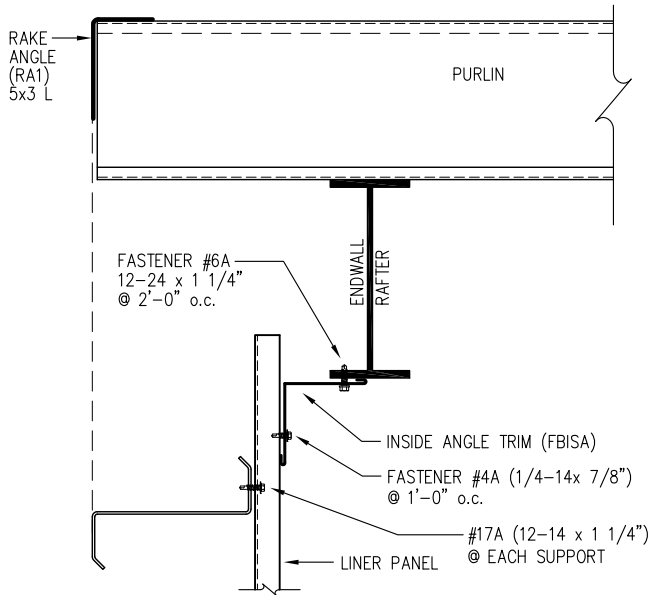
DATE: 10/14



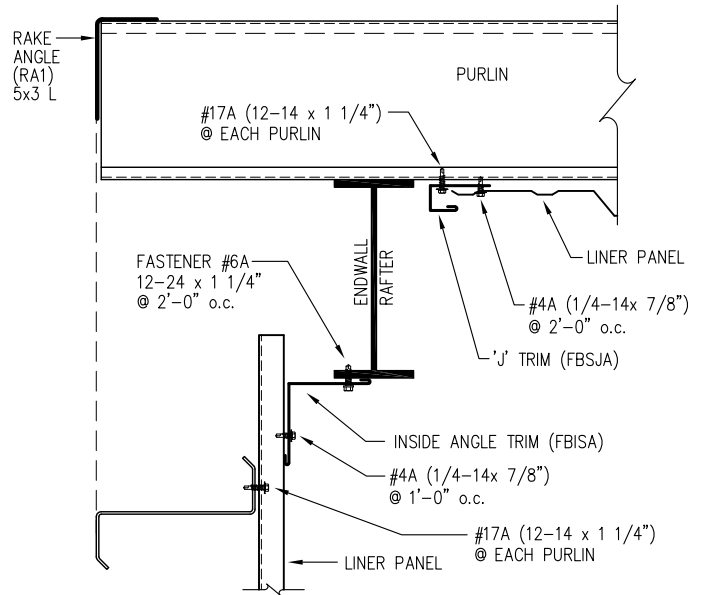
⊥ = STEEL LINE

L21 **LINER I.S. CORNER**
"PBR" WALL PANEL

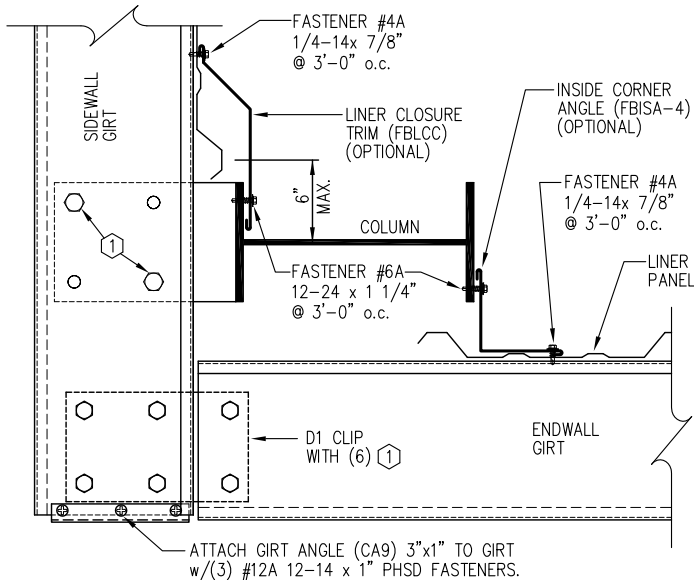
DATE: 10/14



L18 **ENDWALL LINER DETAIL**
FULL-HEIGHT WALL
BYPASS GIRTS
DATE: 10/14

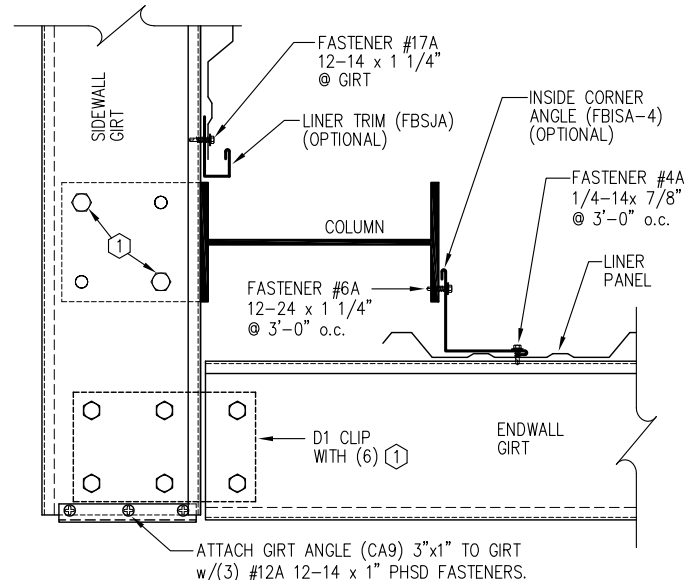


L19 **ENDWALL LINER DETAIL**
FULL-HEIGHT WALL & ROOF LINER
BYPASS GIRTS
DATE: 10/14



① = 1/2" x 1 1/4" GR 5 BOLTS

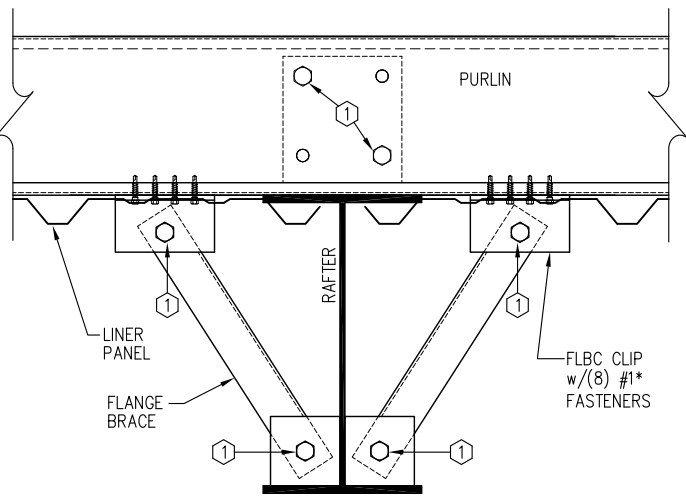
L38 **LINER TRIM @ CORNER COLUMN**
2" SPACE BETWEEN SIDEWALL GIRTS & COLUMN
DATE: 10/14



① = 1/2" x 1 1/4" GR 5 BOLTS

L39 **LINER TRIM @ CORNER COLUMN**
SW GIRTS FLUSH TO COLUMN
DATE: 4/16

SEE CROSS SECTION FOR LOCATIONS, QUANTITIES AND SIZES OF FLANGE BRACES.

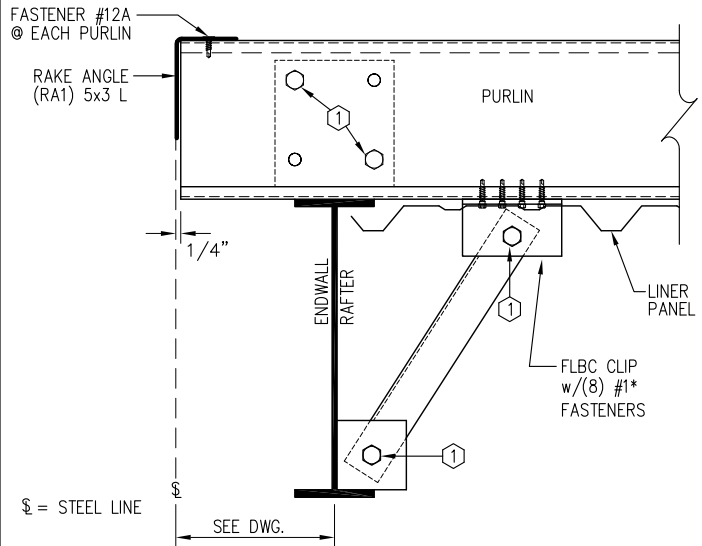


① = 1/2"x 1 1/4" GR 5 BOLTS

L34 LINER FLANGE BRACE DETAIL
w/ ROOF LINER

DATE: 10/14

SEE ENDWALL ELEVATION OR CROSS SECTION FOR LOCATION AND QUANTITY OF FLANGE BRACES PER SIDE

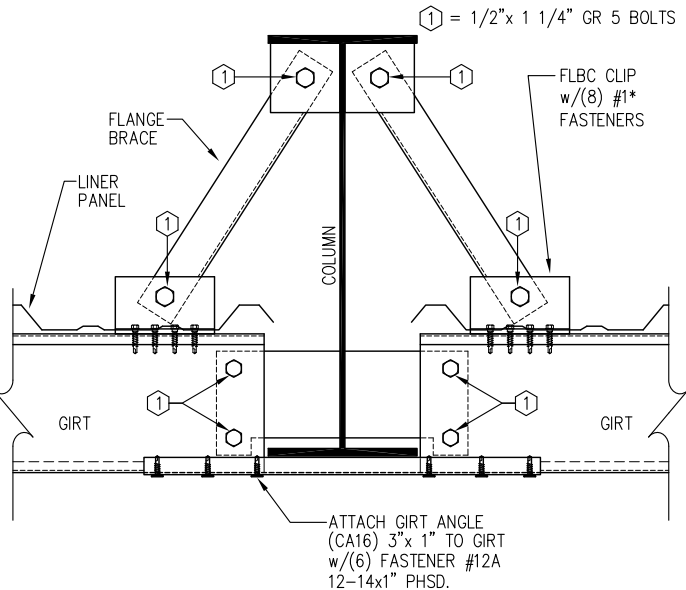


① = 1/2"x 1 1/4" GR 5 BOLTS

L35 PURLIN TO ENDWALL RAFTER
w/ ROOF LINER

DATE: 10/14

SEE CROSS SECTION FOR LOCATIONS, QUANTITIES AND SIZES OF FLANGE BRACES.



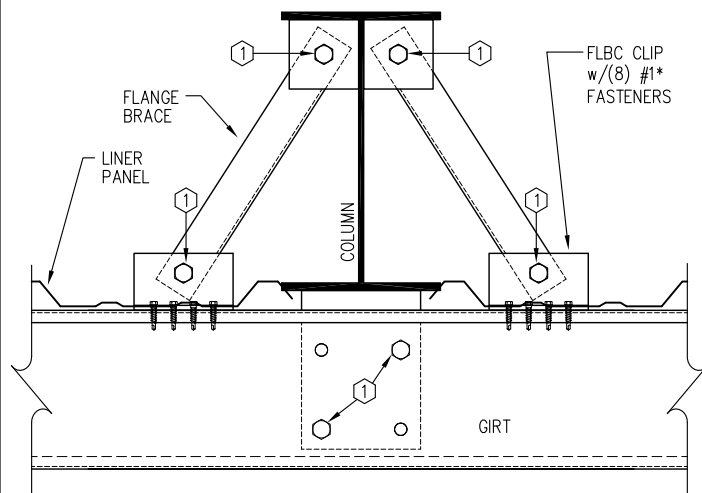
① = 1/2"x 1 1/4" GR 5 BOLTS

ATTACH GIRT ANGLE (CA16) 3"x 1" TO GIRT w/(6) FASTENER #12A 12-14x1" PHSD.

L32 LINER FLANGE BRACE DETAIL
1" INSET GIRT CONDITION

DATE: 2/15

SEE CROSS SECTION FOR LOCATIONS, QUANTITIES AND SIZES OF FLANGE BRACES.

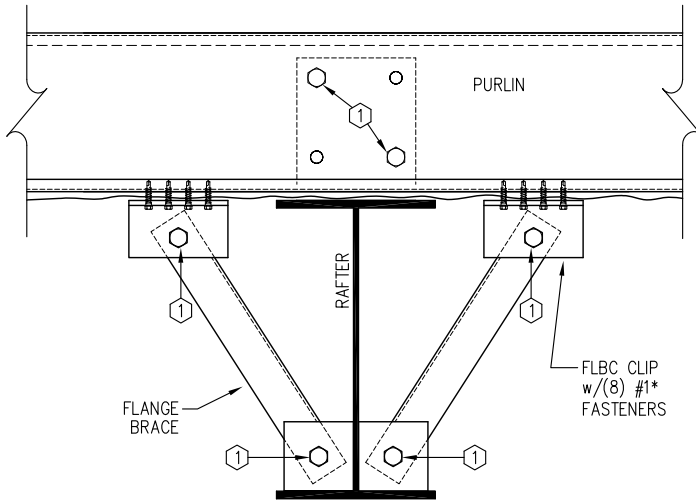


① = 1/2"x 1 1/4" GR 5 BOLTS

L33 LINER FLANGE BRACE DETAIL
BYPASS GIRT CONDITION

DATE: 10/14

SEE CROSS SECTION FOR LOCATIONS, QUANTITIES AND SIZES OF FLANGE BRACES.

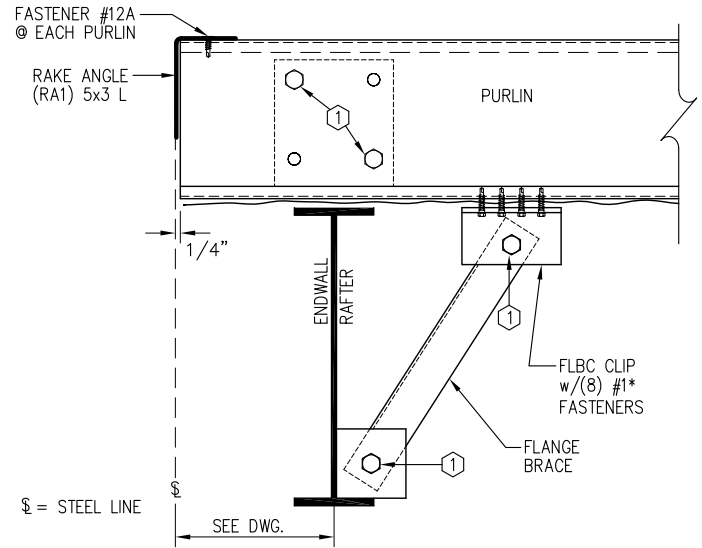


⊠ = 1/2"x 1 1/4" GR 5 BOLTS

L 60 FLANGE BRACE DETAIL
w/CAVITY-FILLED FABRIC INSULATION

DATE: 10/14

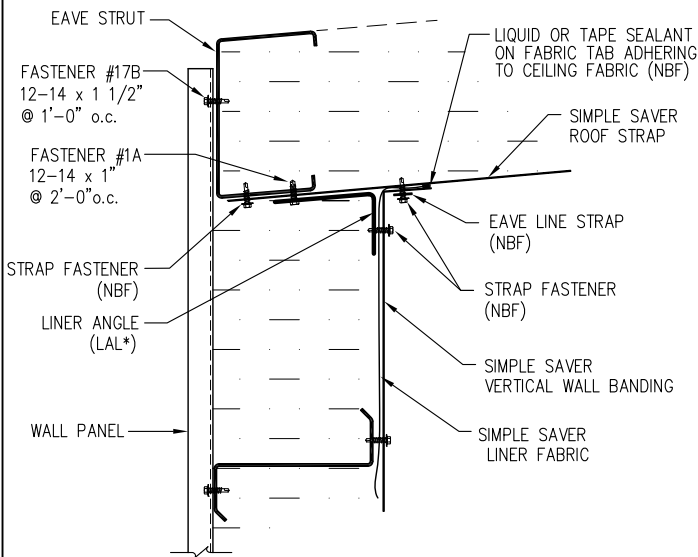
SEE ENDWALL ELEVATION OR CROSS SECTION FOR LOCATION AND QUANTITY OF FLANGE BRACES PER SIDE



⊠ = 1/2"x 1 1/4" GR 5 BOLTS

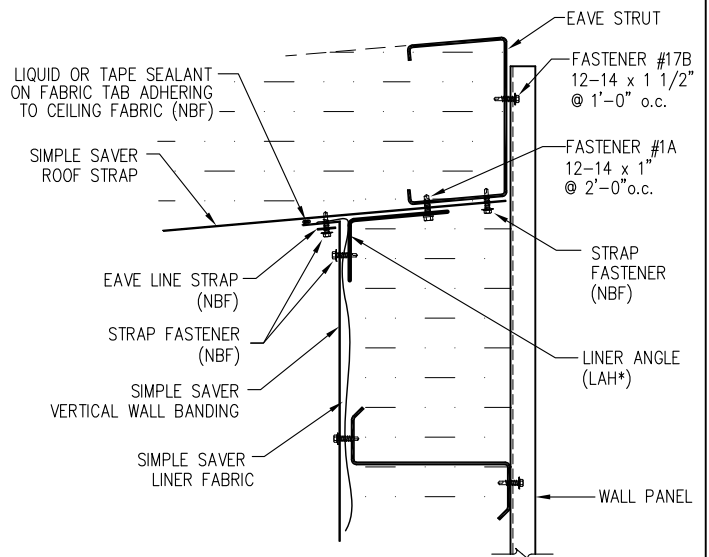
L 61 PURLIN TO ENDWALL RAFTER
w/CAVITY-FILLED FABRIC INSULATION

DATE: 10/14



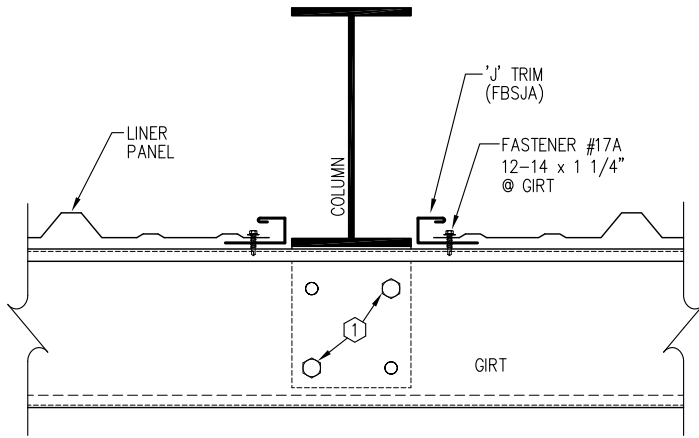
L 53 SIDEWALL SIMPLE SAVER
INSULATION DETAIL
- LOW EAVE

DATE: 10/14



L 54 SIDEWALL SIMPLE SAVER
INSULATION DETAIL
- HIGH EAVE

DATE: 10/14

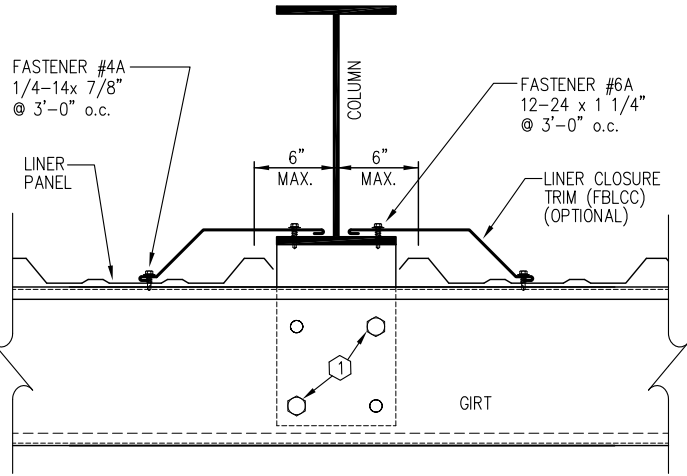


① = 1/2" x 1 1/4" GR 5 BOLTS

L 36 TRIM @ COLUMN DETAIL
GIRT FLUSH TO COLUMN

DATE: 10/14

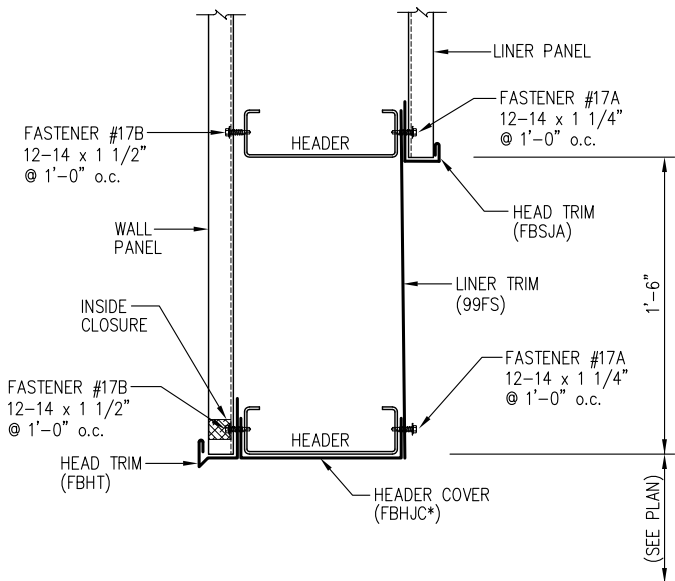
LAP LINER PANELS
AS NEEDED



① = 1/2" x 1 1/4" GR 5 BOLTS

L 37 LINER TRIM @ COLUMN DETAIL
2" SPACE BETWEEN GIRT & COLUMN

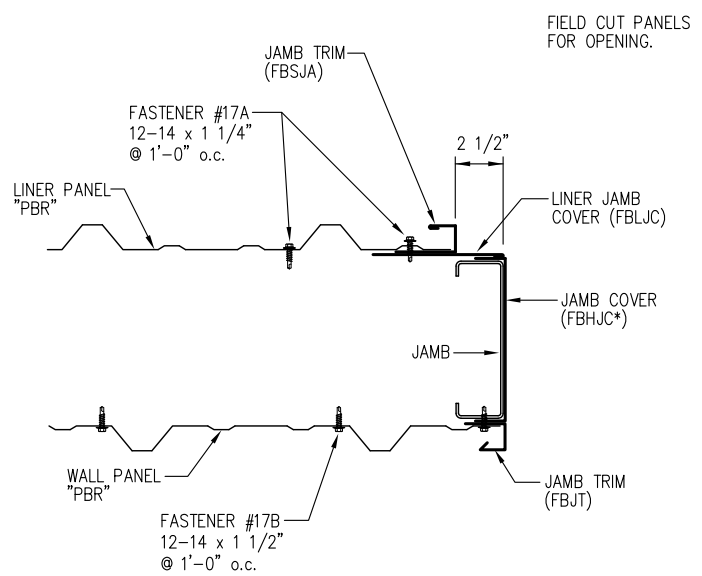
DATE: 10/14



(SEE PLAN)

L 52 HEAD TRIM DETAIL
w/ LINER PANEL
(VERTICAL-LIFT DOOR)

DATE: 10/14

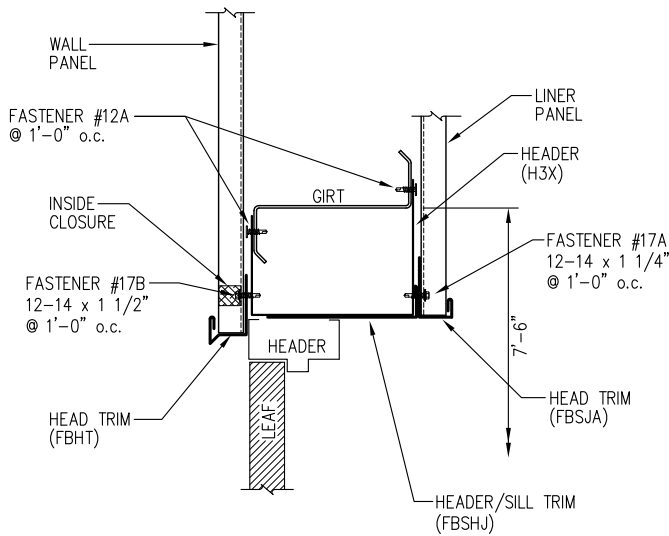


"PBR" PANEL SHOWN
*OTHER PANEL PROFILES
ARE SIMILAR

L 45 JAMB TRIM
"PBR" PANEL/LINER
DOOR JAMB CONDITION

DATE: 10/14

FIELD CUT PANELS FOR OPENING.

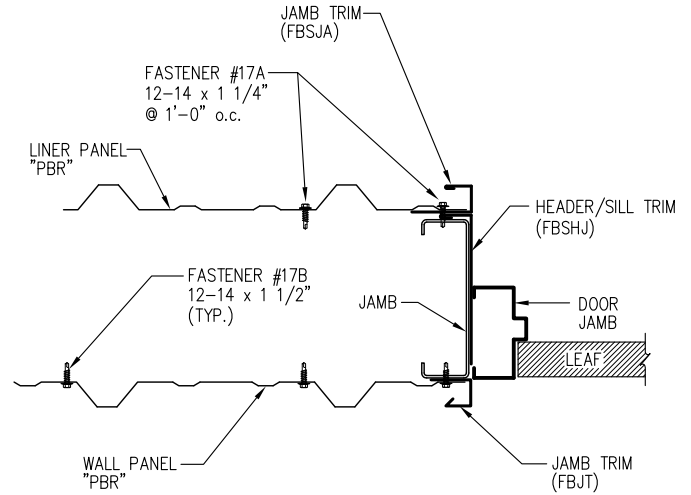


L 46 **HEADER DETAIL**
WALK DOOR CONDITION
7'-6" GIRT

DATE: 10/14

FIELD CUT PANELS FOR DOOR OPENING

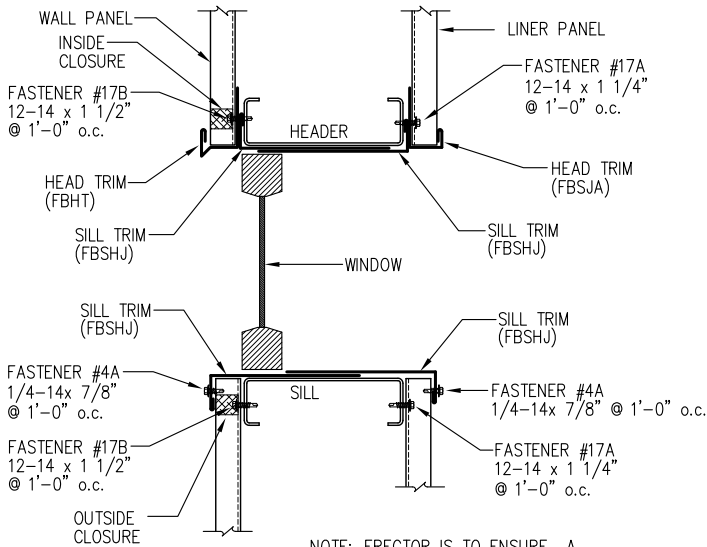
SEE DOOR MANUFACTURER INSTRUCTIONS FOR DOOR INSTALLATION REQUIREMENTS.



T F9x **JAMB DETAIL**
WALK DOOR w/LINER
'PBR' PANEL

DATE: 10/14

"PBR" PANEL SHOWN
*OTHER PANEL PROFILES ARE SIMILAR



NOTE: ERECTOR IS TO ENSURE A WEATHER TIGHT SEAL AT SILL, JAMB, & HEADER WITH APPROPRIATE SEALANT

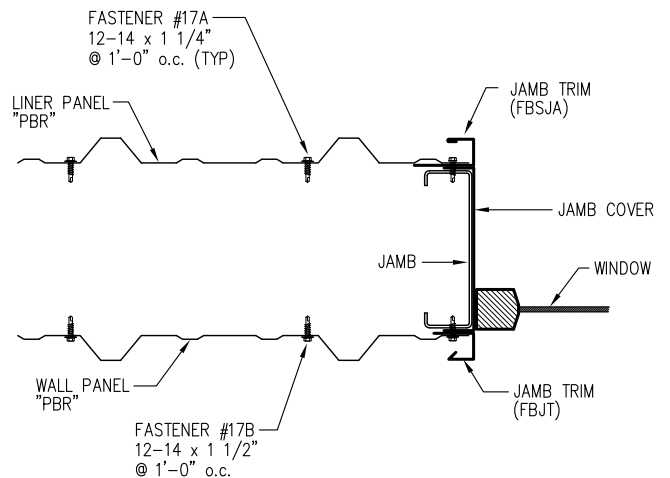
RUN 'FBHT' PAST OPENING BY 1 1/2" EACH SIDE

L 43 **FRAMED OPENING DETAIL**
WINDOW CONDITION w/ LINER

DATE: 4/16

FIELD CUT PANELS FOR OPENING.

NOTE: ERECTOR IS TO ENSURE A WEATHER TIGHT SEAL AT SILL, JAMB, & HEADER WITH APPROPRIATE SEALANT



L 42x **JAMB TRIM**
WINDOW CONDITION w/ LINER
'PBR' PANEL/LINER w/COVERS

DATE: 10/14

"PBR" PANEL SHOWN
*OTHER PANEL PROFILES ARE SIMILAR

THIS PAGE HAS BEEN INTENTIONALLY LEFT BLANK.